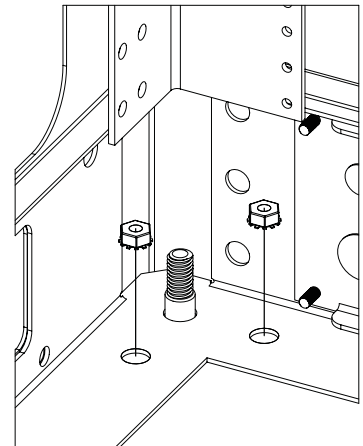


**DETAIL A  
SCALE 1:6**



**DETAIL B  
SCALE 1:3**

**INSTALLATION INSTRUCTIONS**

1. Attach the (4) casters to the tray (as shown in detail A) using supplied 1/4-20 bolts and nuts.
2. Use the remaining (10) 1/4-20 bolts and nuts to attach the tray to the cabinet (as shown in detail A and B).

*Specifications are subject to change without notice*



**www.AtlasSound.com**