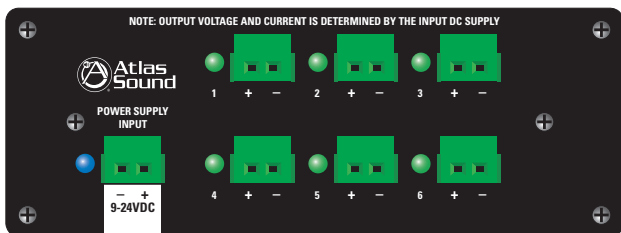
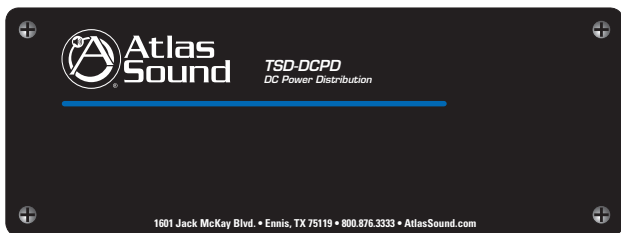




TSD-DCPD

DC Power Distribution



TSD-DCPD

Atlas Time Saving Devices

New Atlas Sound Time Saving Devices are designed to solve some of the common audio system problems in the easiest and in the most efficient and cost-effective way. Utilizing the highest quality components and inspired by real world installation issues, the Atlas Sound TSDs include mixers, amplifiers, preamps, and other distribution and control devices to simplify your connections, provide specific application needs, and add flexibility in expansion and changes that prevent expensive system overhauls.

The Time Saving Devices are loaded with features making it versatile and user friendly. The TSD design mandate was to make the installation quick and reliable, saving you valuable time and money. Each model is housed in a compact 1.5" x 4" x 2.75" footprint that allows for placement almost anywhere. Common features include removable individual I/O connectors for quick and precise wiring, separate ground terminals for all I/Os assuring secured connections, and removable level controls that can be replaced with a tamper-proof security cover.

Description

The Atlas Sound TSD-DCPDV is designed to distribute power to TSD devices or other equipment requiring DC power without the need for separate power supplies. One 9-24V PSU input is distributed to 6 independent, isolated outputs.

The compact TSD-DCPD will help remove rack clutter and free up power strip space.

The TSD-DCPD is highly efficient and meets Energy Star™ standards as it supplies power to multiple Atlas Time Saving Devices via a single PSU (available separately).

Installation

- Government buildings
- Medical Facilities
- Office Environments
- Churches
- Restaurants
- Schools
- Industrial Facilities
- House of Worship

Features

- Power Distribution for Up to 6 TSDs From a Single PSU
- 1 in 6 Out Configuration
- Input Operating Voltage Range 9V - 24VDC
- Current Operating Range 250mA to 5A
- DC Filtering Per Channel
- DC Isolation Per Channel
- Status LED Per Channel
- Cable Management System
- Multiple Mounting Configurations
- Separate Ground Connections
- Removable Phoenix Style I/O Connectors
- Meets Energy Star™ Standards
- Compact Chassis Design

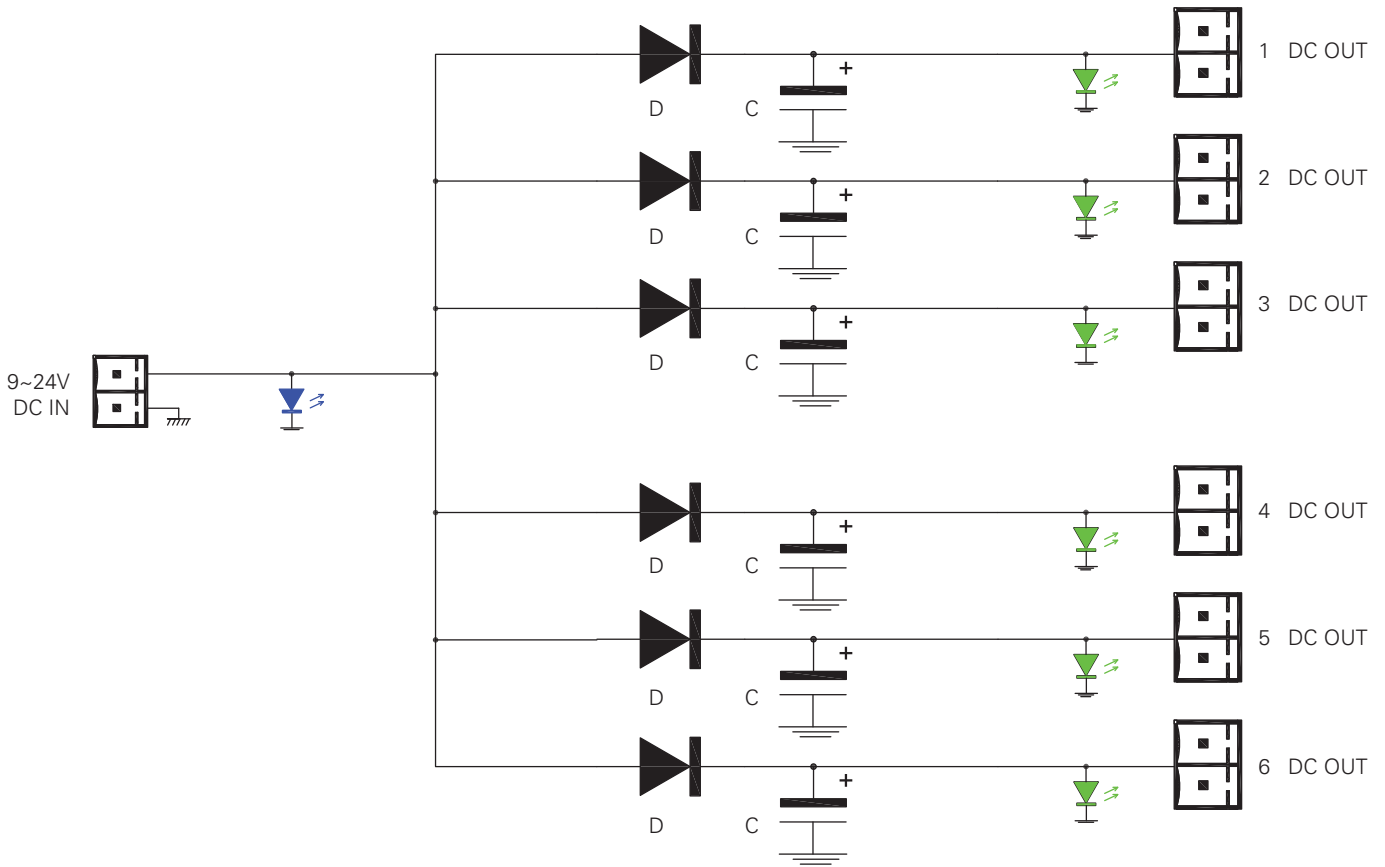
©2010 Atlas Sound L.P. All rights reserved. Atlas Sound and Strategy Series are trademarks of Atlas Sound L.P. All other trademarks are the property of their respective owners. ATSO03822 RevA 4/10

Specifications

Description	1 x 6 Power Distribution Block with Isolation & Filtering
Chassis Color	Black
Chassis Material	Aluminum
Inputs	
DC Voltage Input	9V - 24V DC, 5A Max
Connection	Removable 2 Position Captive Screw 3.5mm Spacing
Outputs	
DC Voltage Output	9V - 24V DC, Voltage and Current Related to Input Power Supply
Connection	Qty 6, Removable 2 Position Captive Screw 3.5mm Spacing
Indicators	
Incoming DC Voltage	Blue
Active DC Output	Green, Qty 6
Electrical	
Isolation	Active
Filters	DC Storage & AC Ripple
Mounting	
Velcro	Industrial Grade, Included
Brackets	Qty 2, Included
TSD-RMK	Optional 1 RU Rack Mount Panel (Supports 4 TSD Units)
Cable Retainer	Qty 2, Included
Power Requirements	
Idle	10mA
Dimensions	H 1.5" (39mm) x W 4" (101mm) x D 2.75" (70mm)
Weight	6oz, .165kg

Block Diagram

NOTE: OUTPUT VOLTAGE AND CURRENT IS DETERMINED BY THE INPUT DC SUPPLY VOLTAGE



©2010 Atlas Sound L.P. All rights reserved. Atlas Sound and Strategy Series are trademarks of Atlas Sound L.P. All other trademarks are the property of their respective owners. AT5003822 RevA 4/10