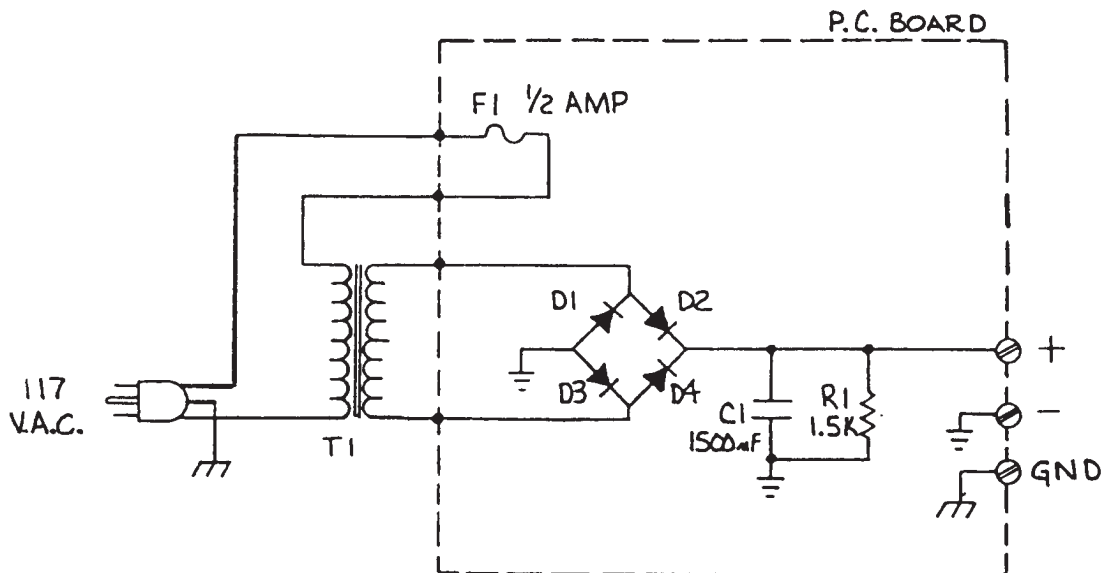




D.C. POWER SUPPLY
MODEL PS24-075

Input - 117 VAC at 60 Hz.
Output - 24 VDC .75 Amp



PARTS LIST		
Ref Designation	Description	Part No.
T1	Power Transformer	246314
C1	Capacitor 1500 mfd 50V.	110132
R1	Resistor 1.5K, 1W.	110728
D1-D4	Silicon Rectifier 200 PIV 1 Amp	110981
F1	Fuse 1/2 Amp	111252
-	Barrier Strip 3 Pt.	201481
-	P.C. Board Assembly	246330

Specifications are subject to change without notice

www.AtlasSound.com

1601 JACK MCKAY BOULEVARD ENNIS, TEXAS U.S.A. • TELEPHONE: (800) 876-3332 • FAX: (800) 765-3435

