

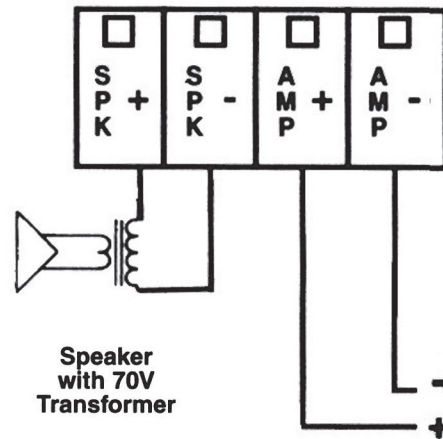
E408-100 / E408-250

Install Sheet

Wiring

Each terminal will hold up to 2-16AWG stranded wire. For larger wires or home run situations, a small length of wire and a wire nut are recommended. Attach wire according to label on terminal block as shown. Install the unit with the terminal block on top. This will ensure that the OFF position is in the bottom.

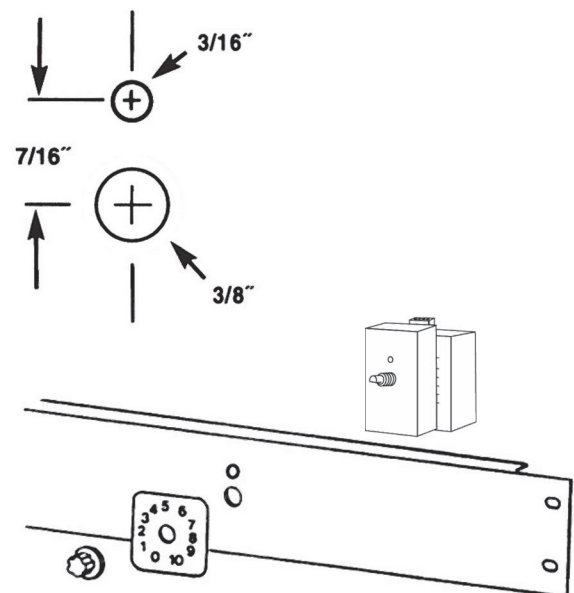
Note: Installation must be made by qualified service personnel, and meet all local codes.



Rack Mount (-RM)

1. Drill holes in panel using the template to the right.
2. Peel off adhesive backing on escutcheon overlay.
3. Align hole openings with holes in panel and affix to surface.
4. Remove plate, knob and nut from attenuator.
5. Insert bushing through large hole in panel making sure that the small indentation on the bracket lines up with the small hole in the panel.
6. Fasten attenuator to panel with the nut.
7. Fit attenuator knob on shaft. Tighten screw on knob to secure.

To simplify rack mount installation specify the AtlasIED ATPLATE-052. Plate is pre-drilled for (6) AtlasIED attenuators and includes filler plugs for instances when the plate is "short loaded".



Dimensions

Model	A	B	C
E408-100	2 1/2" (64mm)	2 3/4" (70mm)	1 3/4" (45mm)
E408-250	2 1/2" (64mm)	3" (76mm)	2 1/2" (64mm)

Note: E408-250 will require a 2 gang extra deep E.O. box

