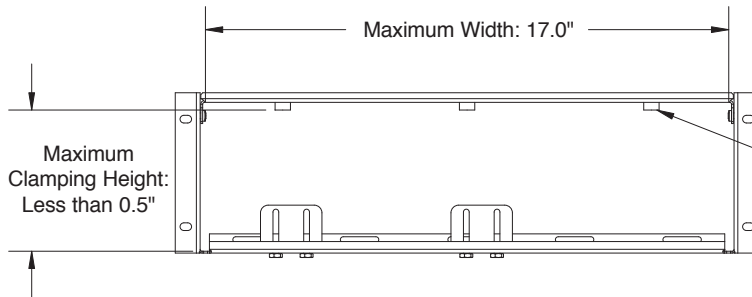
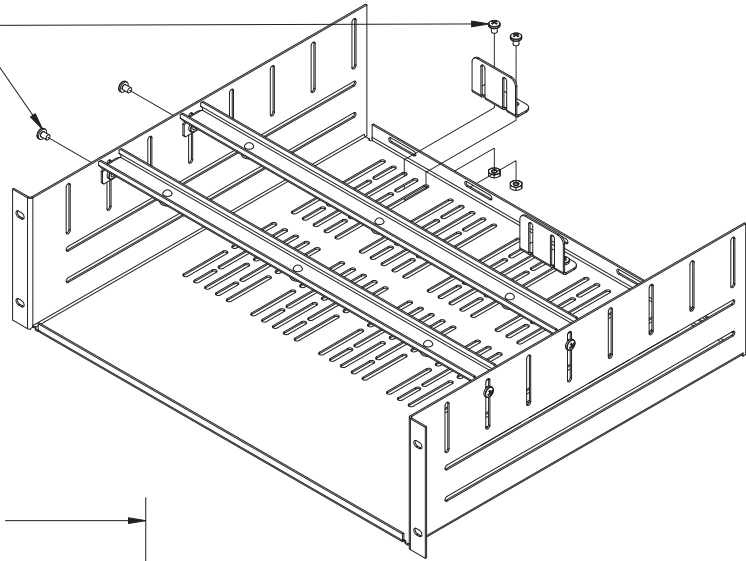


SHCK SH Series

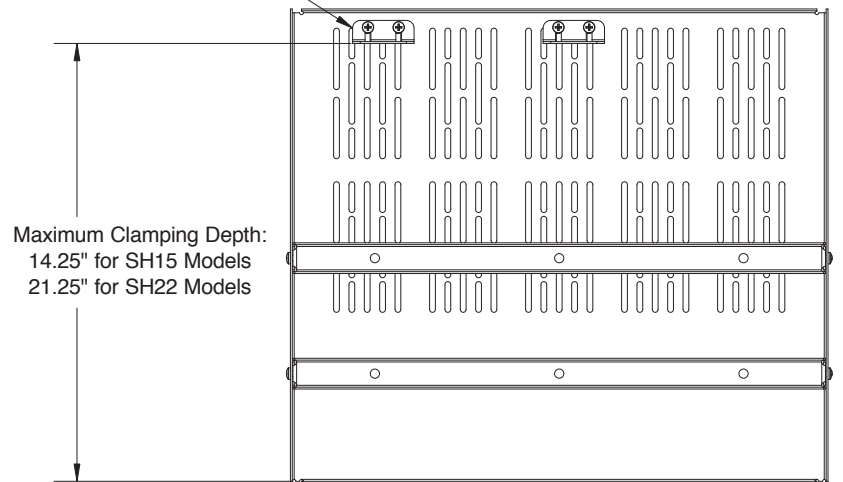
Shelf Clamping Kit

Use (4) of the provided 10-32 screws to mount the top bracket and the remaining 10-32 nuts and screws to mount the rear brackets.



The rubber stops can be removed and installed upside down to achieve the maximum clamping height.

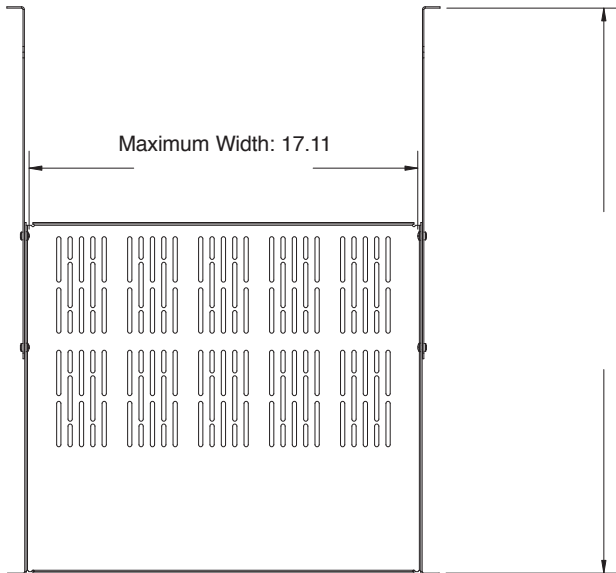
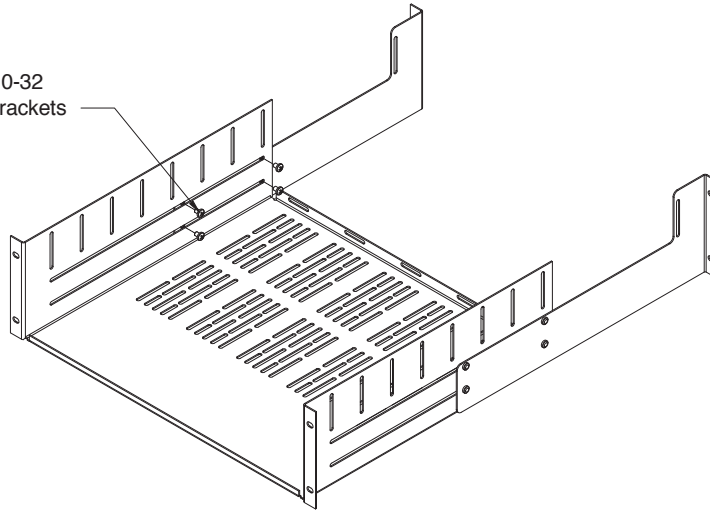
The rear brackets can be installed with the long flange up or down to provide greater flexibility.



SHCK SH Series

Shelf Clamping Kit

Use the (4) provided 10-32 screws to mount the brackets to the shelf.



Maximum Mounting Depth:
24.88" for SH15 Models
31.88" for SH22 Models

Minimum Mounting Depth:
16.63" for SH15 Models
23.63" for SH22 Models

Shelf Loading Specification

SHELF P/N	RACK UNITS	DEPTH (INCHES)	MAX LOAD RATING (LBS)	OPTIONAL REAR RAIL EXTENSION	MAX LOAD RATING WITH EXTENSION (LBS)	OPTIONAL CLAMPING KIT
SH1-10	1	10	25	N/A	N/A	N/A
SH2-15	2	15.5	50	SHRSB2	75	SH-CK
SH2-22	2	22.5	50	SHRSB2	75	SH-CK
SH3-15	3	15.5	70	SHRSB3	100	SH-CK
SH3-22	3	22.5	70	SHRSB3	100	SH-CK
SH4-15	4	15.5	90	SHRSB4	125	SH-CK
SH4-22	4	22.5	90	SHRSB4	125	SH-CK