



# DS SERIES

## MICROPHONE DESK STANDS



### TECHNICAL DATA SHEET

#### PRODUCT SUMMARY

AtlasIED brand microphone desk stands assure optimum stability and "like new" appearance for many years of service. Chrome and ebony finished bases are attractively styled and present a quality appearance for traditional and contemporary decors. Microphone placement and positioning is enhanced by the "locking nut" feature which securely fastens adapters and holders to the desk stands. The seamless tubing is 7/8" and/or 5/8" cold rolled steel and terminates in the industry standard 5/8" - 27 thread pattern for use with microphone accessories. Fixed-height stand selection includes Models DS2, DS5(E), and DS14. Adjustable-height stand Model DS7(E) features the wearproof, AtlasIED grip-action clutch for positive locking control.

#### FEATURES

- Versatile stands fulfill functional and aesthetic miking requirements for microphone placement.
- Quality construction assures extended service and quality appearance.
- Weighted bases provide maximum stability.

#### APPLICATIONS

- Contemporary and Traditional Decors
- Banquet and Meeting Room Consoles
- Court Rooms and Dispatcher Desks
- Sports / Recreation Booths
- Church Pulpits
- Receptionist Station
- Broadcast and Recording Studios

# DS SERIES

## MICROPHONE DESK STANDS



### TECHNICAL DATA SHEET

#### DS2 - LOW SILHOUETTE MICROPHONE DESK STAND

Low silhouette stand features an integral tension variable mount to reduce conductivity of external mechanical vibrations. High-stability, die-cast metal base with protective pads includes notched area for convenient placement of cards or pens. Fixed-height tubing is non-reflective ebony. Base is supplied in non-reflective ebony.



DS2

SYSTEM	DS2
Base	6" (L) x 4" (H)
Stand Height	4"
Base Material	Cast Zinc
Base Finish	Ebony
Tube Finish	Ebony
Weight	2 lbs (1 Kg)

# DS SERIES

## MICROPHONE DESK STANDS



### TECHNICAL DATA SHEET

#### DS5 / DS5E - FIXED HEIGHT DESKTOP MICROPHONE STAND

Fixed-height stands include traditional, circular cast iron base and ebony epoxy or chrome-plated tubing for application with any standard microphone.

- DS5 is finished in chrome plated tubing.
- DS5E is finished in ebony epoxy tubing.



DS5



DS5E

SYSTEM	DS5
Base	6" Diameter
Stand Height	5"
Base Material	Cast Iron
Base Finish	Ebony
Tube Finish	Chrome
Weight	3 lbs (1.4 Kg)

SYSTEM	DS5E
Base	6" Diameter
Stand Height	5"
Base Material	Cast Iron
Base Finish	Ebony
Tube Finish	Ebony
Weight	3 lbs (1.4 Kg)

# DS SERIES

## MICROPHONE DESK STANDS



### TECHNICAL DATA SHEET

#### DS7 / DS7E - ADJUSTABLE HEIGHT DESKTOP MICROPHONE STAND

Versatile stands may be adjusted from 8" – 13" and include a grip-action clutch and ebony-finished cast iron base.

- DS-7 features chrome-plated tubing.
- DS7E is supplied with non-reflective ebony tubing.



DS7



DS7E

SYSTEM	DS7
Base	6" Diameter
Stand Height	8" - 13"
Base Material	Cast Iron
Base Finish	Ebony
Tube Finish	Chrome
Weight	3 lbs (1.4 Kg)

SYSTEM	DS7E
Base	6" Diameter
Stand Height	8" - 13"
Base Material	Cast Iron
Base Finish	Ebony
Tube Finish	Ebony
Weight	3 lbs (1.4 Kg)

# DS SERIES

MICROPHONE DESK STANDS



## TECHNICAL DATA SHEET

### DS14 - WISHBONE SHAPED BASE MICROPHONE STAND

Professionally styled stand includes die-cast "wishbone" shaped base. Finished in ebony and features 3" high chrome tubing.



SYSTEM	DS14
Base	Wishbone
Stand Height	3"
Base Material	Cast Iron
Base Finish	Ebony
Tube Finish	Chrome
Weight	1 lbs (0.45 Kg)

# DS SERIES

## MICROPHONE DESK STANDS



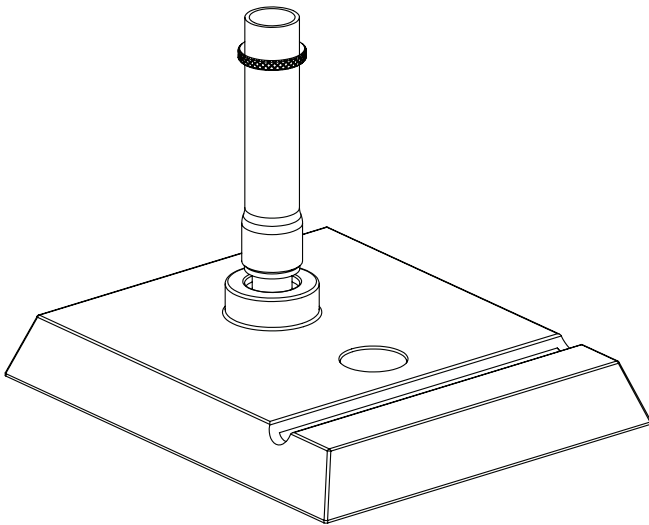
### TECHNICAL DATA SHEET

#### DIMENSIONAL DRAWINGS

##### PRODUCT DIMENSIONS

DS2

Stand Height	4" (102mm)
Width-Base	6" (L) X 4" (H)" (152mm x 102mm)
Weight	2 lbs. (1 kg)



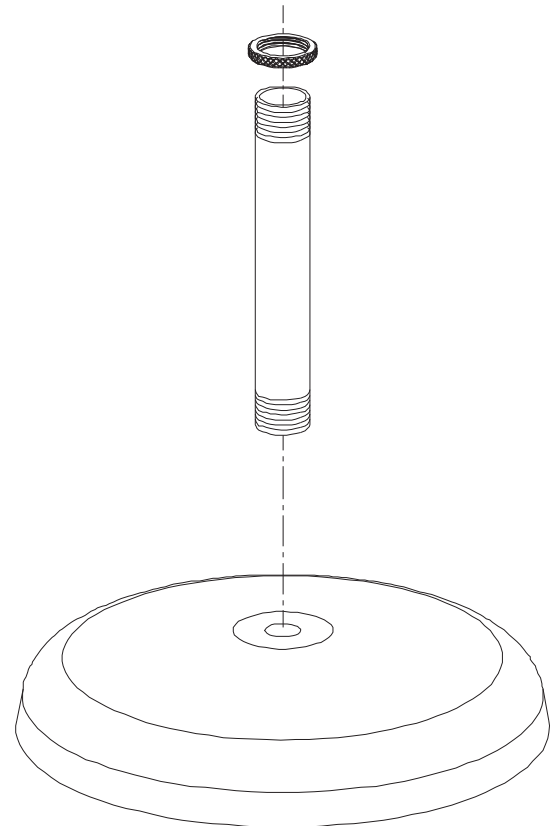
##### PARTS LIST

ITEM	DESCRIPTION	QUANTITY
1	Name Plate Logo 3/4"	1
2	Bumper, Rubber SJ-5003	4
3	Plated Tube	1
4	Base DS-2	1
5	Chrome Stop Ring 5/8 - 27	1
6	Screw, 1/4" - 20X .25 Stop	1
7	Shock Mount	1
8	Ring, Spirolox VM-1	1
9	Adapter, Shock Mount	1
10	Screw, 1/4" - 20X1.25 CRBT	1

##### PRODUCT DIMENSIONS

DS5/DS5E

Stand Height	5" (127mm)
Width-Diameter	6" (152mm)
Weight	3 lbs. (1.4 kg)



##### PARTS LIST

ITEM	DESCRIPTION	QUANTITY
1	5/8" Knurled Stop Nut, Black	1
2	Tube 5/8" O.D. X 4" Long, Black	1
3	Label, Black, 3/4" Diameter	1
4	Base Casting, Painted Black	1
5	Rubber Bumpon Black w. Adhesive	3

# DS SERIES

## MICROPHONE DESK STANDS



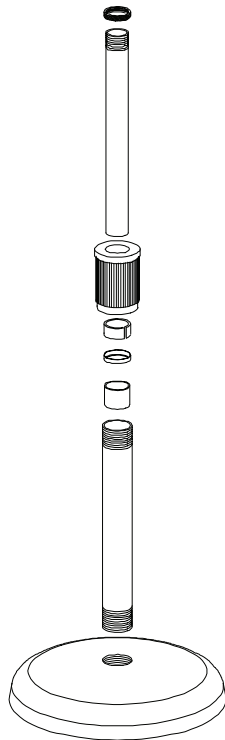
### TECHNICAL DATA SHEET

#### DIMENSIONAL DRAWINGS

##### PRODUCT DIMENSIONS

DS7

Stand Height	8" - 13" (203mm - 330mm)
Width-Diameter	6" (152.4mm)
Weight	3 lbs. (1.4 kg)



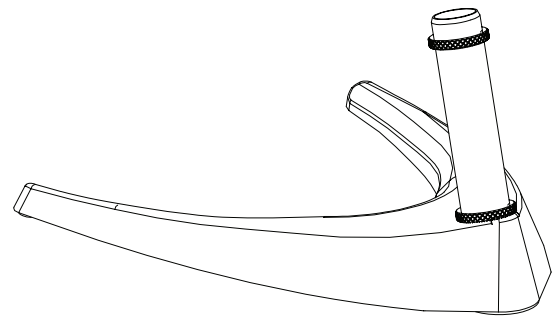
##### PARTS LIST

ITEM	DESCRIPTION	QUANTITY
1	5/8" Knurled Stop Nut	1
2	Tube Plated 5/8" O.D X 6" Long	1
3	Clutch Barrel, Diecast	1
4	Clutch Ring, 5/8"	1
5	Metal Ring,	1
6	Plug Cap, Plastic	1
7	Tube, Pleated 7/8" I.D. x 6" Long	1
8	Label, Clear, Made in the USA	1
9	Base Casting, Painted Black	1
10	Rubber Bump on Black w/ Adhesive	3

##### PRODUCT DIMENSIONS

DS14

Stand Height	3" (76mm)
Base	Wishbone
Weight	1 lbs. (.5 kg)



##### PARTS LIST

ITEM	DESCRIPTION	QUANTITY
1	Label 3/4" Diameter	1
2	Tub, DS-14	1
3	Base, DS-14	1
4	Felt Pad, 3/8"	2
5	Felt Pad, 1"	1