



# PM8GD

## PENDENT MOUNT SPEAKER SERIES

### TECHNICAL DATA SHEET

#### PRODUCT SUMMARY

Model PM8GD-B uses the popular AtlasIED GD series coaxial driver to provide familiar response and high efficiency while retaining economy when high density speaker counts are required in page only applications.

#### FEATURES

- Available in a Black or White Finish.
- Durable 6" Coaxial Speakers with a 110-Degree Horizontal Dispersion Pattern.
- Kevlar® Treated Woofers Cone with Synthetic Rubber Surround
- Includes an Embedded Underground Eye Bolt for a Security Anchor to Prevent Theft.
- Internal 32 Watt 70.7V / 100V Transformer Including a 1:1 Connection for 8Ω Operation.

#### APPLICATIONS

The AtlasIED PM8GD features the popular GD series coaxial driver to provide familiar response and high efficiency while retaining economy when high density speaker counts are required in page only applications.

Attaching the PM8GD to most overhead surfaces is a breeze. For open beam ceilings a 3 meter cable kit is included with a self gripping ferrule system. If down pipe installation from hard ceiling material is required, any 3/4" ceiling fan installation kit may be utilized. These kits are readily available under the FANTEC™ brand from home improvement stores with various down pipe length options to provide installation ease regardless of ceiling material angle (Up to 45°).

Either installation solution is discreetly implemented via the PM series innovative top cover design. This "cap" includes a cable access plug that is easily removed for down pipe mounting. The cover also completely conceals the speaker cable terminations and the suspension anchor points.

Several packages are offered to suit various coverage pattern and installation scenarios. For low ceilings, AtlasIED offers a discrete enclosure system containing a ultra wide coverage 8" GD series driver. For higher ceiling applications, AtlasIED PM series answers the need for a variety of budget and performance requirements with three different 8" driver options, factory assembled into in a larger yet still attractive pedant style enclosure.

Available in black or white enclosure finish.

# PM8GD

## PENDENT MOUNT SPEAKER SERIES



### TECHNICAL DATA SHEET

#### TECHNICAL SPECIFICATIONS

Power Rating	16 Watts @ 8 $\Omega$ , 70.7, Taps: 1, 2, 4, 8, and 16 Watts
Frequency Response	70Hz – 15kHz ( $\pm$ 7dB)
Sensitivity (1W/1M)	96 dB Average
Dispersion Angle	105° (2kHz Octave Band, -6 dB Points)
Woofers Mag. Wt.	10 oz. (311g)
Woofers	8" Treated Paper
HF Driver	Coaxially Mounted 3" Treated Paper
Enclosure Dimensions	Diameter - 12.25" (311mm), Overall Height - 16.62" (422mm)
Enclosure Volume	1075 In <sup>3</sup> (17 616.09cm <sup>3</sup> )
Weight	17lbs (7.71kg)

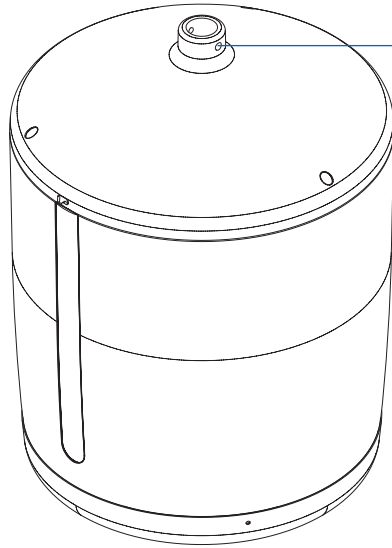
# PM8GD

## PENDENT MOUNT SPEAKER SERIES

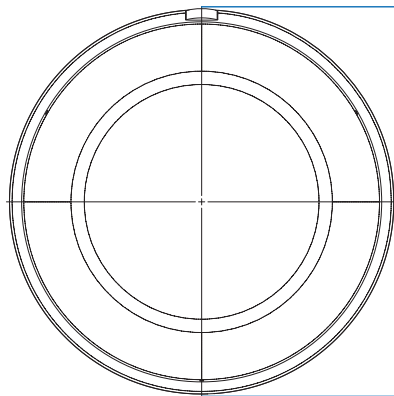


### TECHNICAL DATA SHEET

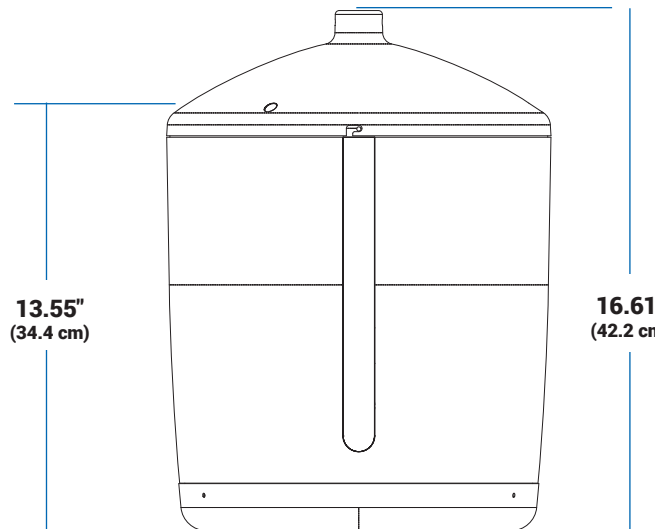
#### DIMENSIONAL DRAWINGS



**1/4-20 Thread Hole for Securing  
Conduit Installation**



**12.28"**  
(31.2 cm)



**13.55"**  
(34.4 cm)

**16.61"**  
(42.2 cm)

# PM8GD

PENDENT MOUNT SPEAKER SERIES



TECHNICAL DATA SHEET

## TAP TERMINAL SELECTION



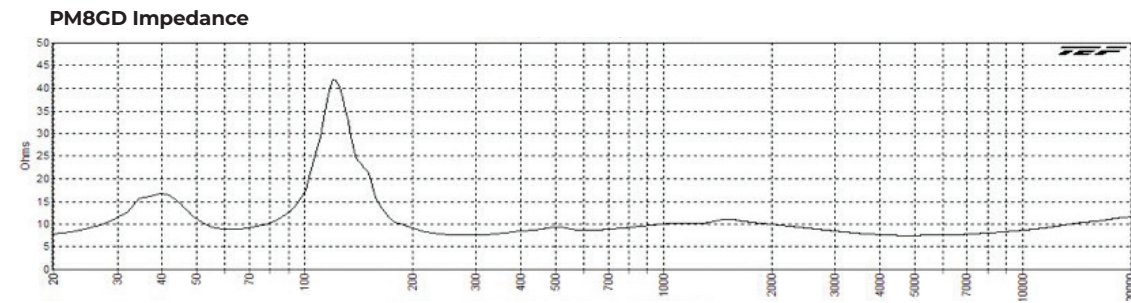
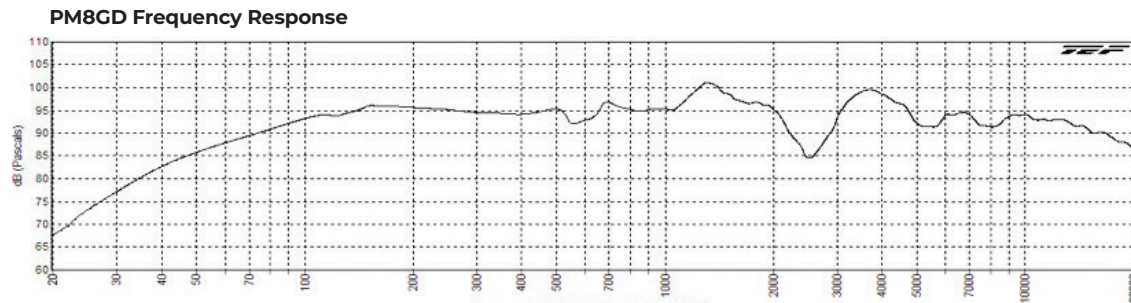
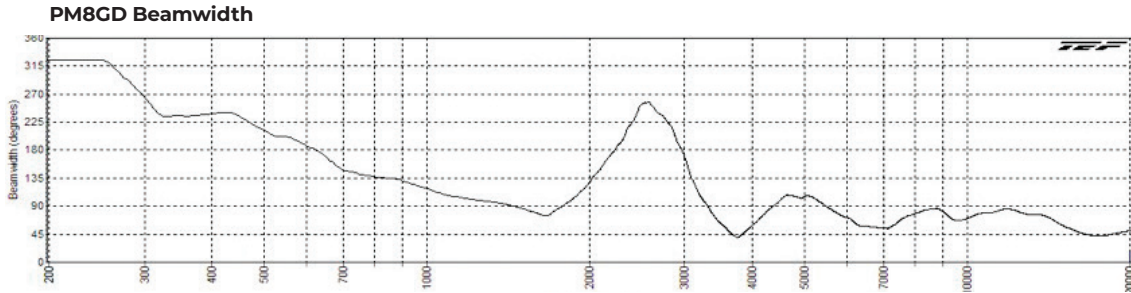
# PM8GD

## PENDENT MOUNT SPEAKER SERIES

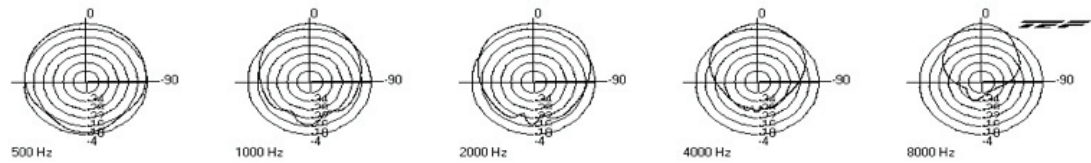


### TECHNICAL DATA SHEET

#### PERFORMANCE MEASUREMENTS



#### PM8GD Polar Charts



# PM8GD

## PENDENT MOUNT SPEAKER SERIES



### TECHNICAL DATA SHEET

#### ARCHITECT & ENGINEER SPECIFICATIONS

The loudspeaker system shall include a high performance 8" coaxial loudspeaker in a tuned and ported bass reflex enclosure and form fit grille for conventional ceiling installation via cable or down tube mounting system. The low-frequency reproducer cone shall be 8" (203mm) in diameter and the high frequency reproducer cone shall be 3" (76mm) in diameter. The woofer shall have a 10oz. (260g) ceramic magnet; the tweeter shall have a 2.35oz. (67 g) ceramic magnet. The two reproducer sections shall be coupled through a built-in crossover network. The crossover frequency shall be at 2800Hz.

Frequency response range shall be 70Hz – 15kHz ( $\pm 7$ dB). Average sensitivity shall be 96dB (1 W/1 M). Low frequency voice coil diameter shall be 1" (25mm) and operate in a magnetic field of at least 10,600 gauss .

Transformer primary voltage shall be 70.7V with a frequency response of  $\pm 1$ dB 70Hz – 15kHz and power taps at 1, 2, 4, 8, and 16 Watts. Insertion loss shall not exceed 2dB