

# ZCM-V2

## Zone Controller Pro Install Sheet

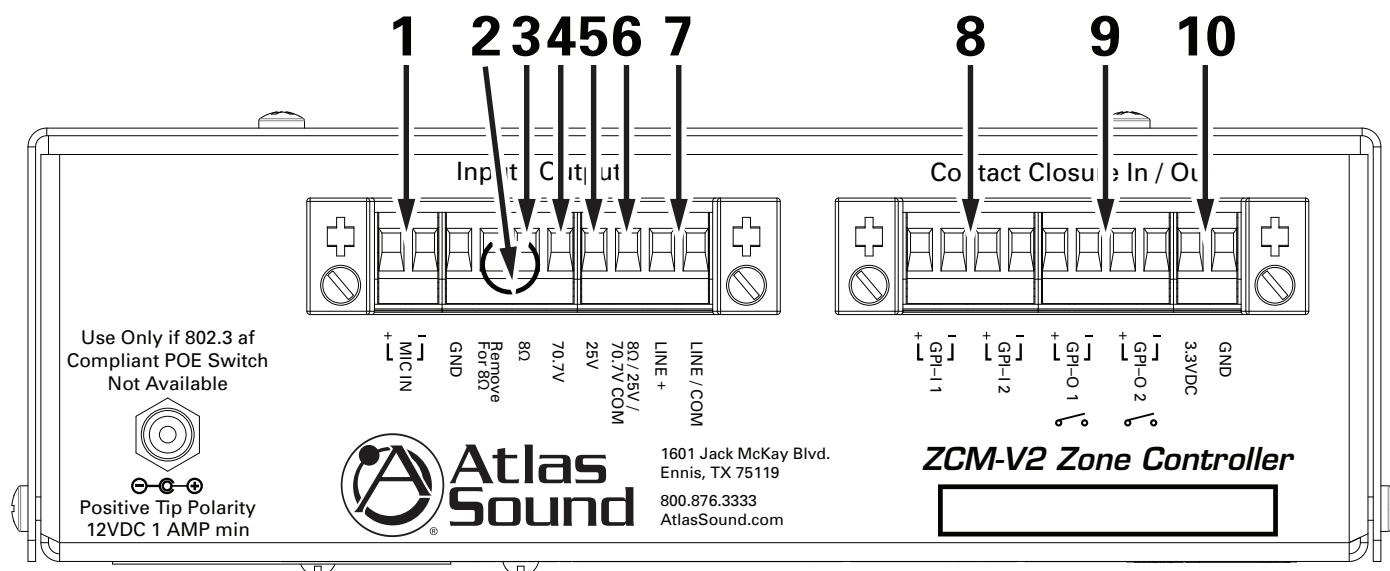
### Introduction

The ZCM-V2 Zone Controller Pro is an analog gateway for Atlas Sound IP paging systems. This model is compatible with Atlas Sound's ControlKom® and Singlewire's InformaCast® software. The ZCM-V2 provides a line level output to connect to Atlas Sound commercial amplifiers and an 8Ω, 25V, 70.7V amplified output to drive small analog speaker zones. It also includes 2 GPI Inputs, 2 GPI Outputs and Microphone input for talk back applications. Power can be supplied via plug-in transformer (IPS-PSU) or by 802.3af compliant PoE network switches. All control features of the ZCM-V2 are software controlled.

### Functionality

Once connected to a network and powered, the ZCM-V2 will boot up and obtain an IP address from a DHCP server on the network. Next, the unit will listen for an SLP broadcast from InformaCast / ControlKom software telling the unit where the service is running on the network. Once the ZCM-V2 identifies the software's location, it will request the InformaCastSpeaker.cfg file and register. The MAC address of the ZCM-V2 will then show in the 'Unidentified Speakers' page in the software. Please refer to the installation manual of the software for additional configuration settings.

After the module has registered with the software, its HTTP page can be accessed by navigating to its IP address with any browser. This page will show its current firmware version and registration information.



- |   |   |
|---|---|
| <ol style="list-style-type: none"> <li>1. Microphone Input</li> <li>2. 8Ω Jumper (Remove this Jumper for 8Ω Operation)</li> <li>3. 8Ω Speaker Output</li> <li>4. 70.7V Speaker Output</li> <li>5. 25V Speaker Output</li> </ol> | <ol style="list-style-type: none"> <li>6. 8Ω, 25V, and 70.7V Speaker Output COM</li> <li>7. Line Level Output</li> <li>8. GPI Inputs</li> <li>9. GPI Outputs</li> <li>10. DC Output and COM for Use with GPI I/O</li> </ol> |
|---|---|

# ZCM-V2

## Zone Controller Pro Install Sheet

### GPI Interface

GPI Inputs:

GPI Inputs 1 and 2 are used to trigger events in the ControlKom and Informacast software packages. Refer to software manuals for functionality.

GPI Outputs:

Via the InformaCastSpeaker.cfg file the GPIO's can be configured for special operations.

To activate the GPI Out closure when audio is playing, use a tag like this:

```
<GPIO while_audio_output="1x" />
```

The first digit controls GPI Out 1; the second controls GPI Out 2.

"1" means to close it when audio is playing, open it otherwise.

"0" means to open it when audio is playing, close it otherwise.

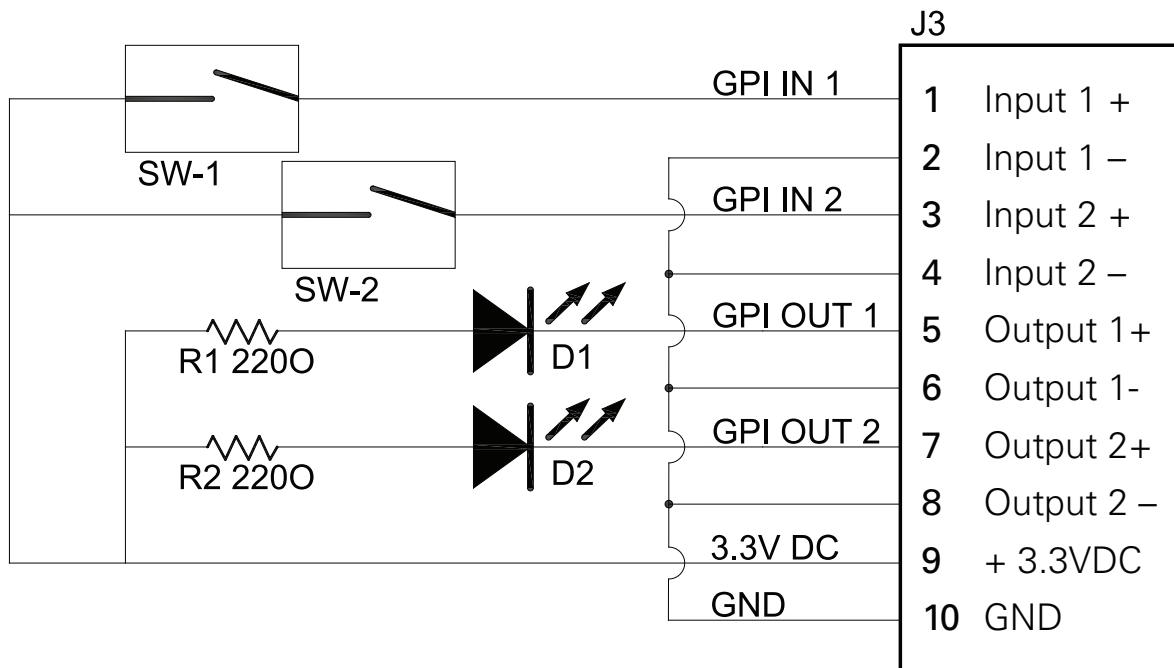
"x" means the that GPI Out is not affected by audio playing.

Example:

```
<InformaCastSpeakerConfiguration>
  <Servers registration-interval="5">
    <InformaCast url="http://server_ip_address:8081/InformaCast/admin?cmd=spkr"/>
  </Servers>
  <Firmware file="ipsl_EL020b17.bin"/>
  <PriorityBootFirmware file="ipsl_EL020b17.bin"/>
  <PriorityFirmware file="ipse_E292b17.bin"/>
  <FPGAFirmware file="fpga1074.bin"/>
  <GPIO while_audio_output="1x" />
</InformaCastSpeakerConfiguration>
```

### Pin Out for GPI I/O

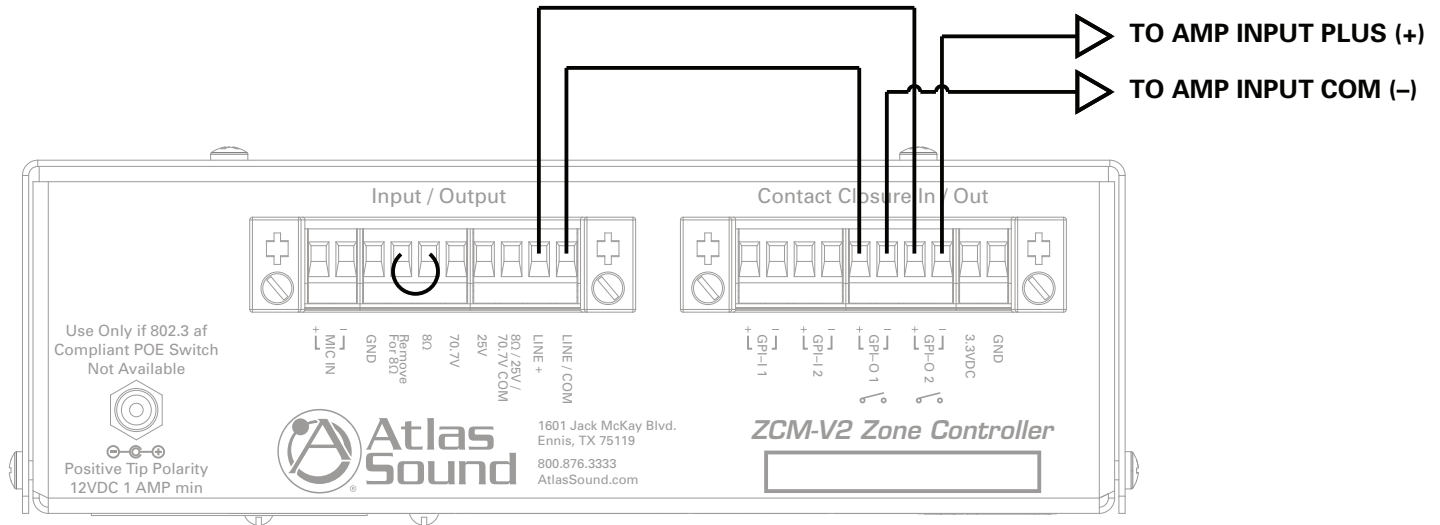
"J3" shows the Pin out for the GPI I/O:



## ZCM-V2 Zone Controller Pro Install Sheet

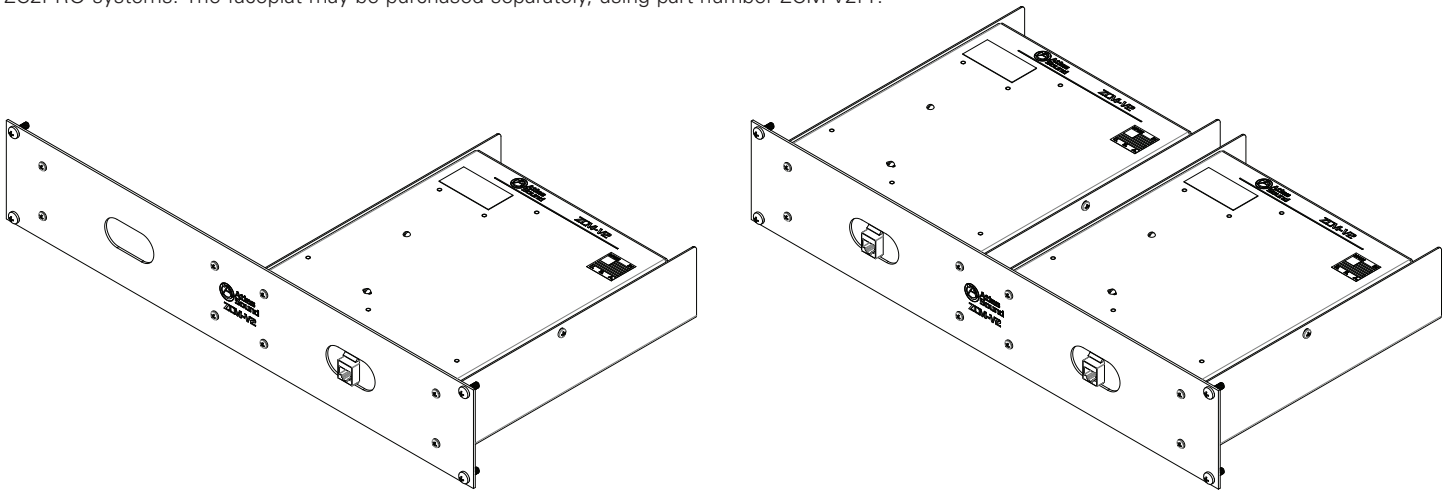
### GPI Applications

Below is an application that will isolate the audio output from the amplifier until a broadcast is active.

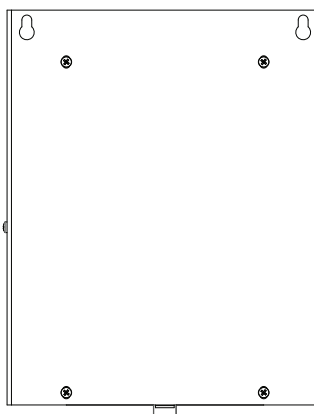


### Mounting

One or Two Zone Controller Pro units can be rack mounted side by side via a 2RU face plate. This 2RU face plate is included with the ZC1PRO and the ZC2PRO systems. The faceplate may be purchased separately, using part number ZCM-V2FP.



Or wall mount via the 2 keyholes



©2011 Atlas Sound L.P. All rights reserved. Atlas Sound is a trademark of Atlas Sound L.P. All other trademarks are the property of their respective owners. All specs are subject to change without notice. ATS003960 RevA 1/11

# ZCM-V2

## Zone Controller Pro Install Sheet

### General Specifications

Rack Space	2RU (3.5") If ZCM-V2FP is Used.
Weight	ZCM-V2 Module – 5 lbs ZC1PRO System – 6 lbs ZC2PRO System – 11 lbs
Height	2.56" (65mm) - ZCM-V2 Module
Width	8" (203mm) - ZCM-V2 Module
Depth	10" (254mm) - ZCM-V2 Module
Mounting	2 Key Holes (7" Span) for Wall Mount Rack Plate (Included)

### Amplifier / Control Specifications

Power Rating	9 Watts RMS into an 8 $\Omega$ Load with 12VDC Input
Inputs	RJ-45 Female on PCB (Accessible from Rack Ear Attachment Side)
Outputs	600 $\Omega$ , 8 $\Omega$ , 25V, and 70.7V
Power Source	IEEE 802.3af Compliant POE Network Switches / Local 12VDC – 18VDC PSU
Network Control	Multicast Enabled Networks

### GPI Specifications

Relay Output	50V at 500mA Max
Input Minimum	1mA to Run on 50V Max