



51 Series

Round Recessed Baffles For Mounting 4" and 8" Loudspeakers



51-8



T51-8



51-4



T51-4



T51-84

Features

- Economical Industry-Standard Design
- Sturdy One-Piece CRS Construction Eliminates Vibration and Rattle
- Torsion Spring Versions Provide Quick and Efficient Installation
- Popular Design Mounts to a Wide Selection of Enclosures or Mounting Rings

Applications

The 51 Series flush-mounting baffles are designed for general purpose, recessed loudspeaker installations. Available in 4" and 8" sizes for standard or torsion spring installation wherever a recessed loudspeaker is specified including office buildings, retail spaces, and commercial real estate of all kinds.

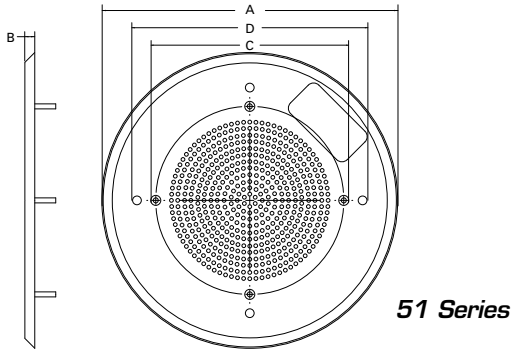
General Description

These industry favorites are aesthetically pleasing and economical steel baffles available in standard screw-mount or labor-saving torsion spring (T) versions. Torsion spring versions provide fast "spring-into-position" mounting to specified enclosures and reduce or eliminate visible hardware. All models are of one-piece 24-gauge CRS construction and finished in textured white epoxy.

Models 51-8/T51-8 utility baffles provide for professional and cost-effective installation of 8" (203mm) loudspeakers. Loudspeaker mounts to the baffle using standard hardware. The baffle speaker assembly screw mounts (51-8) or torsion mounts (T51-8) to specified enclosures.

Models 51-4 / T51-4 / T51-84 versatile baffles provide installation flexibility for 4" loudspeakers. All models include loudspeaker mounting studs for efficient on-site assembly. Model 51-4 mounts using standard hardware to specified enclosures. Models T51-4 and T51-84 mount specified enclosures using torsion spring assemblies for a completely hardware-free appearance. Torsion assemblies are adjustable to accommodate ceiling thickness up to 2".

Note: For proper support, torsion spring grilles should not be used with loudspeaker assemblies exceeding 5 lbs.



51 Series

Specifications

Grilles Mounting 4" (102mm) Loudspeakers

51-4

- Diameter (A) 7 $\frac{7}{8}$ " (187mm)
- Projects (B) $\frac{1}{4}$ " (6mm)
- (C)** 4 $\frac{1}{16}$ " (119mm)
- (D)*** 5 $\frac{5}{8}$ " (143mm)
- Weight .3 lb. (.15 kg)

T51-4*

- Diameter (A) 7 $\frac{7}{8}$ " (187mm)
- Projects (B) $\frac{1}{4}$ " (6mm)
- (C)** 4 $\frac{1}{16}$ " (119mm)
- (D)***
- Weight .3 lb. (.15 kg)

T51-84*

- Diameter (A) 8 $\frac{1}{2}$ " (216mm)
- Projects (B) $\frac{3}{16}$ " (5mm)
- (C)**
- (D)***
- Enclosure BMT95-4(-7)
- Mtg. Ring —
- Tile Bridge —
- Weight .4 lb. (.2 kg)

Grilles Mounting 8" (203mm) Loudspeakers

51-8

- Diameter (A) 12 $\frac{3}{4}$ " (324mm)
- Projects (B) $\frac{1}{4}$ " (6mm)
- (C)** 7 $\frac{7}{8}$ " (194mm)
- (D)*** 11 $\frac{1}{4}$ " (286mm)
- Weight 1.1 lb. (.5 kg)

T51-8

- Diameter (A) 12 $\frac{3}{4}$ " (324mm)
- Projects (B) $\frac{1}{4}$ " (6mm)
- (C)** 7 $\frac{7}{8}$ " (194mm)
- (D)*** —
- Weight 1.2 lb. (.55 kg)

* Model includes provisions to accommodate ceiling thickness up to 2" thick.
 ** (C) Loudspeaker mounting hole or stud pattern.
 *** (D) Baffle mounting hole pattern.

Architect and Engineer Specifications

Screw Mount Grilles. Round recessed baffle shall be Atlas Sound Model _____ [51-4 for 4" loudspeakers; 51-8 for 8" loudspeakers]. It shall be constructed of one-piece 24-gauge CRS. Hardware for mounting Atlas Sound loudspeaker Model _____ shall be furnished. Baffle shall be used in conjunction with Atlas Sound enclosure Model _____ or mounting ring Model _____. For applications that require a tile bridge, Atlas Sound Model _____ shall be used. Baffle dimensions shall be _____. Finish shall be textured white epoxy.

Torsion Spring Grilles. Round recessed baffle shall be Atlas Sound Model _____ [T51-4, for 4" loudspeakers; T51-8 for 8" loudspeakers]. It shall be of one-piece 24-gauge CRS and utilize a torsion spring device to attach to either Atlas Sound enclosure Model _____ or mounting ring Model _____. For applications that require a tile bridge, Atlas Sound Model _____ shall be used. Baffle shall have dimensions of _____ and have welded studs on rear for mounting Atlas Sound loudspeaker Model _____. Finish shall be textured white epoxy.

Baffle Mounting Guide for 51 Series			
Model	Enclosure	Mounting Ring	Tile Bridge
51-4	(EZ)96-4 Series, (EZ)96-4X Series	76-4	81-4
T51-4*	E410(-11), E410-NK, EZE410	76-4	81-4
T51-84*	BMT95-4(-7)	—	—
51-8	(EZ)95-8 Series, EZ96-8, T95-8 Series, 199-8, Q408, CS95-8(NS), 96-8 Series*	—	81-8R(S), EQ81*
T51-8	T95-8 Series, BMT95-8(-7), EZ95-8	T75-8(E1)(E2)	81-8S, 81-8S****

* Model includes provisions to accommodate ceiling thickness up to 2" thick.
 **** When a torsion spring grille, tile bridge, and enclosure are specified, the grille will mount to the tile bridge only and not to the enclosure's torsion tabs. The enclosure will need to be secured to the tile bridge via four 8-32 screws (not included). [In some cases, the enclosure may need to be rotated to avoid the torsion tabs and insure a proper fit.]
 • EQ81 tile bridge works only with 96-8 Series enclosures.