



# AH66-15-BSG

15" 2-way Stadium Horn System 65° x 65°



AH66-15-BSG

Weather resistant construction features of the AH66-15-BSG include a multiple screen configuration to prevent moisture from damaging internal components: A perforated aluminum screen covers the large horn mouth, a secondary screen is in place forward of the high frequency driver, and a third tightly perforated screen protects the 15" cast frame woofer.

## Installation

A heavy-duty stainless steel "C" style mounting bracket is included with the AH66-15-BSG to allow easy mounting to almost any flat surface. Three drop forge eyebolts are also pre-installed (2-front of horn plus 1-rear for "pull-up") for suspension mounting via load rated aircraft cable. (Use caution when suspending any object overhead. Refer to the installation manual for more details.)

The AH66-15-BSG includes a 4 pole terminal block connector on the underside of the device for easy hook-up and daisy chain wiring to other AH66-15-BSG. If 70.7V/100V operation is required the optional Atlas Sound AF140 autoformer may be used.

NOTE: Due to the full range operation capabilities of the AH66-15-BSG, 70.7/100V operation is possible, but discouraged. Better frequency response and amplifier dampening factor can be realized by using large gauge (#10 to #12) home runs and series/parallel hook-up wiring at the head end location with direct coupled, low impedance amplifiers. Generally speaking, this improvement of frequency response and amplifier dampening factor is worth the sacrifice of line loss over distance - especially if transformer insertion loss at the loudspeaker location is considered.

## Features

- Efficiency Rating of 102dB (1 W / 1 M)
- 250 Watts Power Handling
- Maximum Output of 126dB (Rated Power @ 1 M)
- Constant Directivity Design Offers Controlled Coverage of 65° H by 65° V (2kHz Octave Band)
- Excellent Low Frequency Response Provides Bass You Can Feel
- Driver Complement Includes a 15" Cast Frame Woofer with a Concentrically Mounted 1" Exit Compression Driver Coupled to a 65° H x 65° V HF Horn
- Full Range Frequency Response of 75Hz – 14.5kHz (±5dB)
- Easy, Weather Resistant Connection Via 4-Pole Terminal Block Connector
- 8Ω Nominal System Impedance (70.7V / 100V Operation Via Optional Atlas Sound Model AF140 Transformer)
- Heavy Duty Stainless Steel Mounting Bracket (Included) Allows for Easy Installation to Most Any Flat Surface
- Three Forged Eyebolts Also Included for Suspended Installation

## Applications

Atlas Sound model AH66-15-BSG stadium horn, with its square coverage pattern, is ideal for down firing applications like convention centers where full range reproduction, maximum intelligibility, and high sound pressure levels are required. Other applications include football stadiums, sports arenas, baseball fields, convention centers, and auditoriums.



AH66-15-BSG

## Specifications

Power Rating	250 watts (45V) RMS
Sensitivity 1W1M	104dB SPL (70Hz – 17kHz ½ octavebands)
Frequency Response	75Hz - 14.5kHz (±5dB)
Dispersion	65° x 65°
Impedance	8Ω (Nominal)
Minimum Impedance	5.6Ω @ 9000Hz Nominal -6dB (Minimum)
Height	23.75" (603.25mm)
Width	21.41" (543.81mm)
Depth	30.08" (764.03mm)
Shipping Weight	87 lbs (39.5kg)
Driver Type	1" HF and 15" LF

## Architect & Engineer Specifications

Loudspeaker shall be Atlas Sound Model AH66-15-BSG or approved equal.

Loudspeaker shall be a 2-way design incorporating an environment-resistant housing.

Loudspeaker shall include a 15", horn loaded, cast frame woofer housed in a 2296 in<sup>3</sup> (1.3 cubic feet) enclosure and an integral, concentrically mounted 1" exit compression driver coupled to a constant directivity high frequency horn. The three pole (18dB/octave) dividing network crossover frequency shall be 1.4kHz. The dividing network shall include a poly switch protection circuit for the high-frequency component.

The loudspeaker system shall be capable of providing a sound dispersion angle of 65° horizontal by 65° vertical in the 2kHz octave band.

Rated power shall be 250 watts based on EIA Standard RS-426B\*

Enclosure shall be UV-resistant, steel reinforced, low pressure injection molded fiberglass and shall include a 3 stage multiple mesh filter system for weather and rodent resistance:

- A. Large 20-gauge perforated aluminum screen on front mouth assembly.
- B. 100 x 100 weave stainless steel mesh between HF horn and HF driver.
- C. 100 x 100 weave stainless steel mesh over 15" woofer.

Sensitivity shall be 102dB SPL (70Hz – 14.5kHz ½ octave bands) measured at a distance of one meter on axis with a one watt input.

Overall frequency response shall be 75Hz – 14.5kHz ( ±5dB).

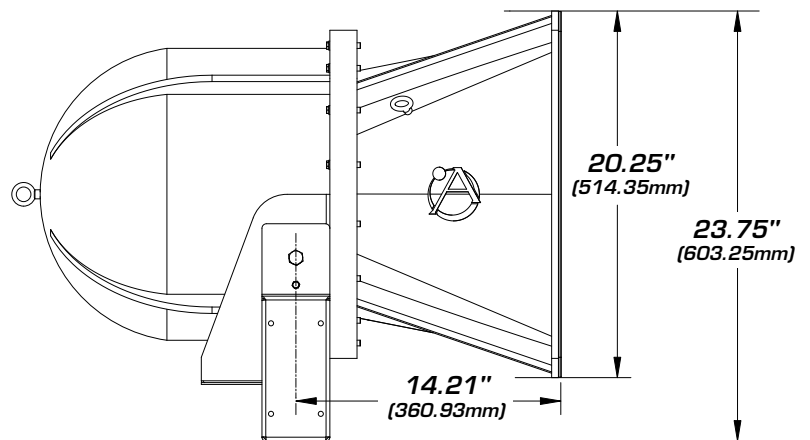
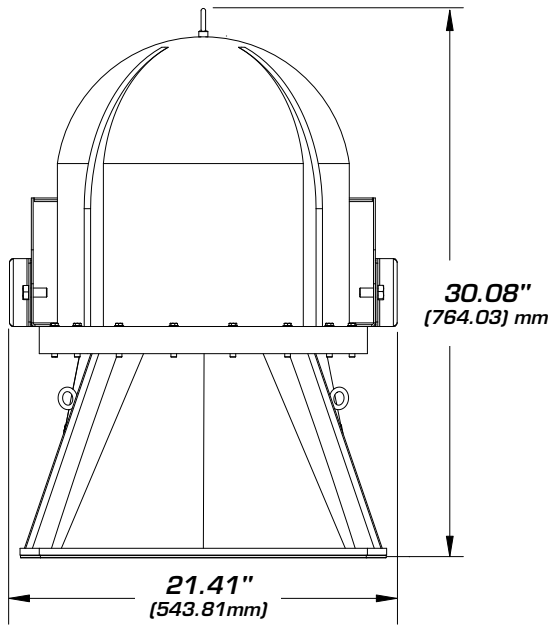
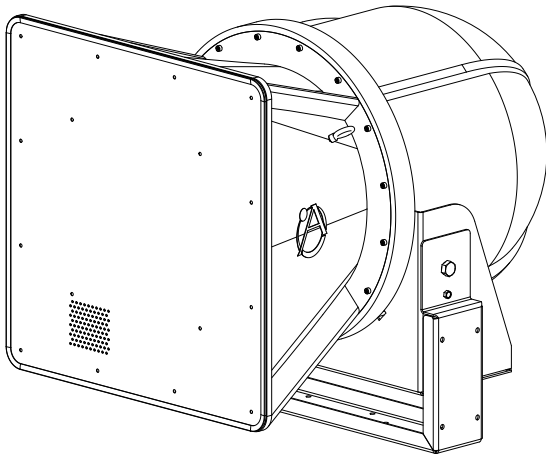
The loudspeaker shall include a stamped and formed, 12-gauge stainless steel mounting bracket assembly for surface mounting and three M8 drop forged eyebolts for suspension mounting.

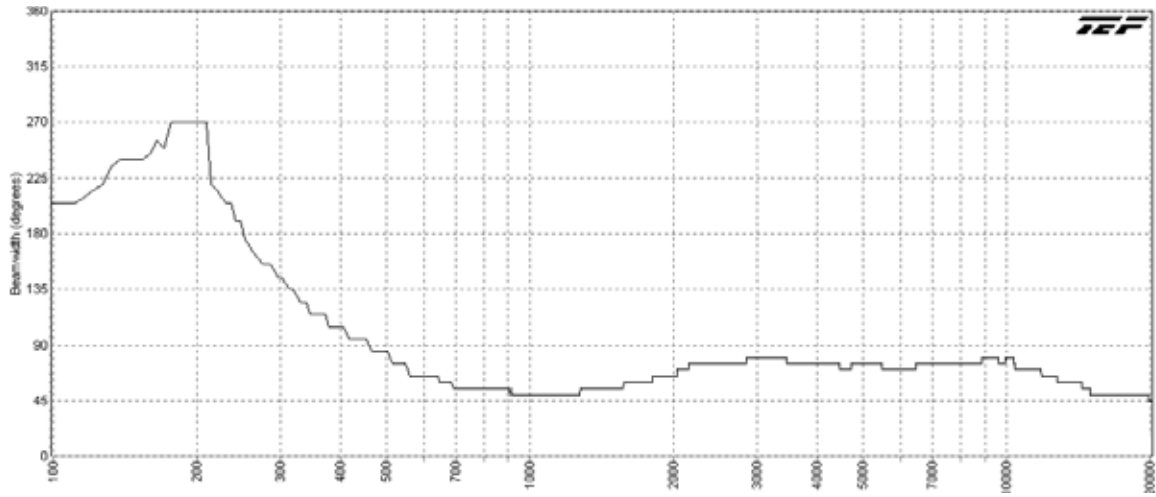
The input section located on the bottom rear of the loudspeaker shall include a 4 pole terminal block connector.

Nominal impedance shall be 8Ω.

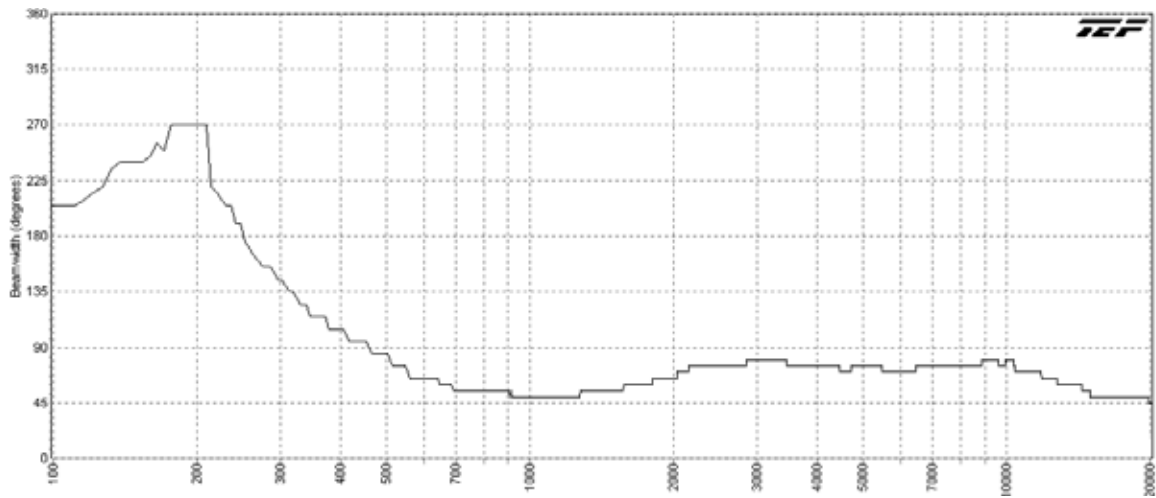
Dimensions shall be: Height 23.75" (603.25mm)  
 Width 21.41" (543.81mm)  
 Depth 30.08" (764.03mm)  
 Weight 87 lbs (39.5kg)

\*EIA test spectrum is applied for eight hours. (This procedure provides a rigorous test of both thermal and mechanical failure modes.)

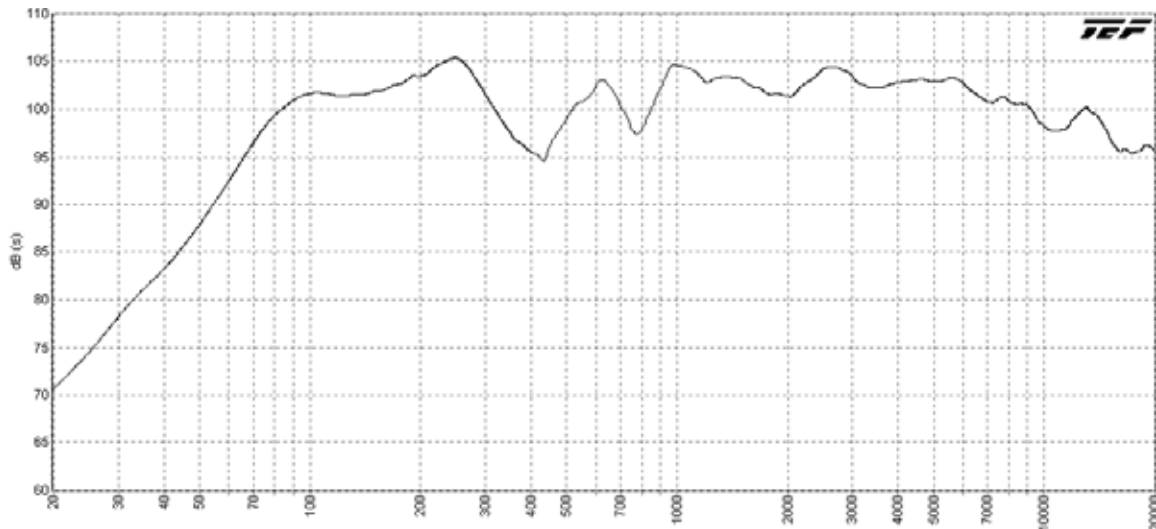




AH66-15-BSG Horizontal Beamwidth (-6dB)

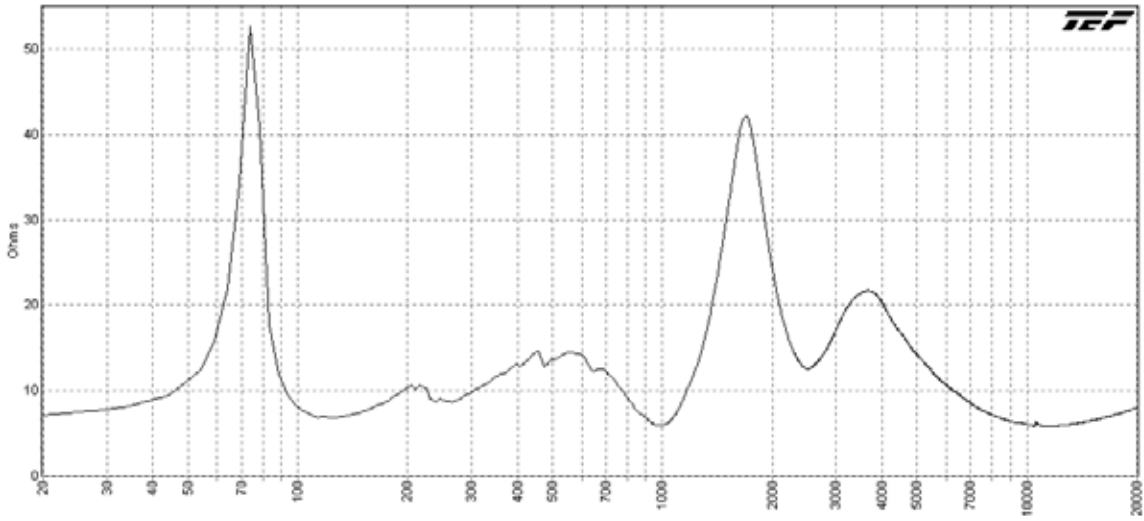


AH66-15-BSG Vertical Beamwidth (-6dB)

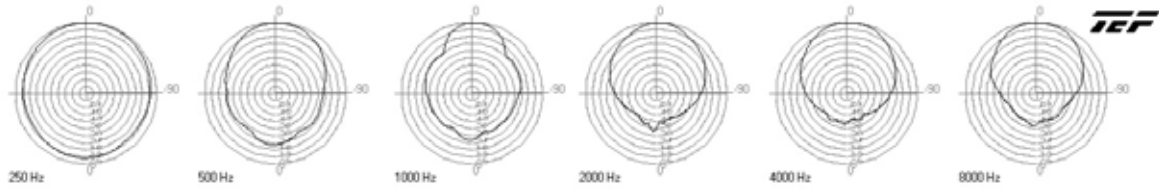


AH66-15-BSG Frequency Response

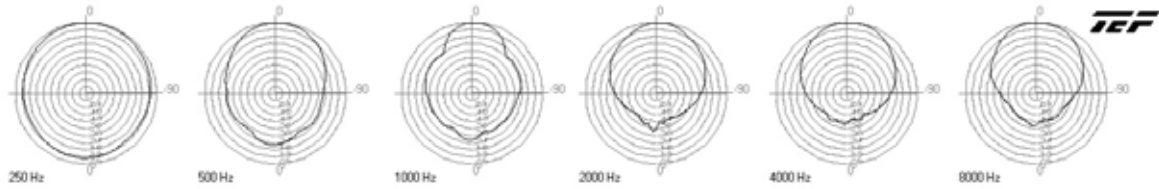
©2013 Atlas Sound L.P. All rights reserved. Atlas Sound and Strategy Series are trademarks of Atlas Sound L.P. All other trademarks are the property of their respective owners. AT5004765 RevA 11/13



AH66-15-BSG Impedance (ohms) vs. Frequency



AH66-15-BSG Horizontal Polars (Normalized to Zero On Axis) (-6dB)



AH66-15-BSG Vertical Polars (Normalized to Zero On Axis) (-6dB)