

IPDCM+

PoE+ Indoor Wall Mount LED Display with Integrated Microphone



Features

Network Features

- Network Controlled, High Visibility Red LED Display
- Dynamic or Static IP Address
- IEEE802.3 10/100Base-T Ethernet
- IEEE 802.1q Tagging
- IEEE 802.3AT Compliant

Auto Provisioning

- DHCP Option 66, 150, or TFTP Server
- DHCP Option 72 for HTTP Server

Auto Registration

- SLP for InformaCast
- DHCP Option 72 for SA-Announce or GCK

Static Configuration

- HTTP GUI for Static Configuration
- Cisco SRST

Audio Features

- Integrated Amplifier
 - 15-Watt Total Power
 - Primary Speaker Output 8Ω
- Aux Audio Line-In Unbalanced (2.8Vpp 10K)
- Aux Audio Line-Out Unbalanced (2.8Vpp 10K)

Additional Features

- 2 General Purpose Inputs
- 1 Relay Output (2A @ 30 VDC)
- External Power Supply Option
- 16 x 64 LED Display for Clock or Scrolling Text
- Integrated Microphone Allows for Half-Duplex or Full-Duplex Paging Based on Software Platform

General Description

AtlasIED IPDCM+ is an indoor wall mount IP LED display with integrated talkback microphone. It leverages VoIP communication solutions to extend notifications with effective visual text alerts for high ambient noise areas or large spaces.

Applications

AtlasIED IPDCM+ registers as a communication endpoint directly within InformaCast, SA-Announce and GCK Advanced Notification applications, supporting their visual text broadcast to enhance physical security while improving day-to-day communications through advanced alerting, bell schedules, pre-recorded & scheduled announcements, while leveraging the WAN/LAN Network Architecture.

In addition to visual signaling, the IPDCM+ can provide audio to support distributed analog public address systems with the convenience of line level and amplified audio outputs. This line level output is ideal for use with AtlasIED AA, PA, DPA, or CP series amplifiers to power large zones of traditional 25V, 70.7V, or 100V AtlasIED loudspeakers or paging horn loudspeakers.

In addition to the line level output, the IPDCM+ provides 2-channels of 15-Watt RMS at 8-ohm amplified output to drive external loudspeakers. It also includes 2 GPI inputs, 1 GPI output and a microphone input for talk back or listen applications.

Under Title II of the ADA, all state and local governments are required to take steps and ensure effective communication to people with disabilities. The AtlasIED IPDCM+ display with talkback microphone provides effective communication for all individuals.

System	
Type	PoE+ Indoor IP LED Display with Microphone
Operation Mode	Self Powered
Indicators	Network Status (On Back)
General Purpose Interface	Two Trigger Inputs / One Relay Output (2A @ 30 VDC)
Amplification (to power external speakers)	
Type	Single-Channel Class D Topology
AC Power Input	PoE or PoE+ and External 24VDC
Power Rating (RMS)	15 Watts Max (802.3AT)
THD	<.02%
Cooling	Passive/Convection
Microphone	
Sensitivity	Minus 35 (±4dB) / (0db = 1V/pa, 1 kHz)
Impedance	Less than 2.2kΩ
Directivity	Omnidirectional
Frequency Range	20Hz – 20kHz
Standard Operation Voltage	2V
Max. Operation Voltage	10V
Current Consumption Max.	0.5 mA
Sensitivity Reduction Within	Minus 3dB @ 1.5V
S/N Ratio	More than 62dB
Audio Inputs and Outputs	
Input: Analog Audio Type(s)	One Unbalanced Analog
Input: Analog Connectivity	Secured Screw Terminal Block
Input: Network Audio Type(s)	G.711 U-Law/A-Law and G.722 Capable
Input: Network Connectivity	RJ-45 Female
Output: Analog Audio Type(s)	One Unbalanced Line Level
Output: Analog Connectivity	Secured Screw Terminal Block
Output: Digital Audio Type(s)	N/A
Output: Digital Connectivity	N/A
Output: Loudspeaker Level	8Ω, 9W (802.3AF), 15W (802.3AT)
Output: Loudspeaker Connectivity	Two x Secured Screw Terminal Block
Display	
Display Type	LED Display
Display Color Range	Red Only
Display Lumens	162lux
LED's Per Character	16 x 64
Character Max Height	2.125" (54mm)
Viewable Dimensions (HxW)	10.125" (257mm) x 2.5625" (65mm)
Control	Time via NTP - Text Controlled via Software
Software	
SA-Announce Compatible Versions	9.0.18+
InformaCast Compatible Version	8.0+
GCK Compatible Version	3.0+
Network	
Ethernet	IEEE802.3 10/100Base-T
PoE	IEEE802.3AF/AT Compliant
VLAN	IEEE802.1q Tagging
Protocols	
IP Addressing	DHCP/Static
Auto-Provisioning	HTTP/TFTP
Auto-Registration	HTTP/Service Location Protocol/IEDNet

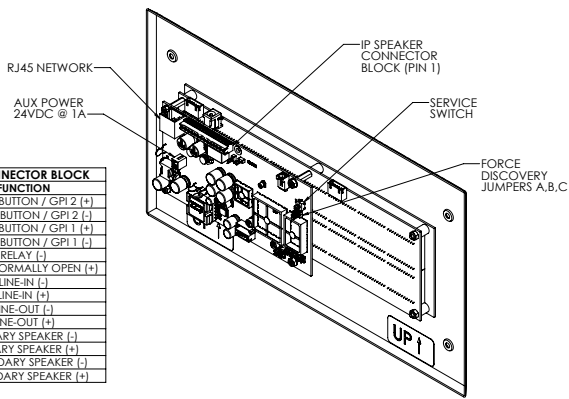
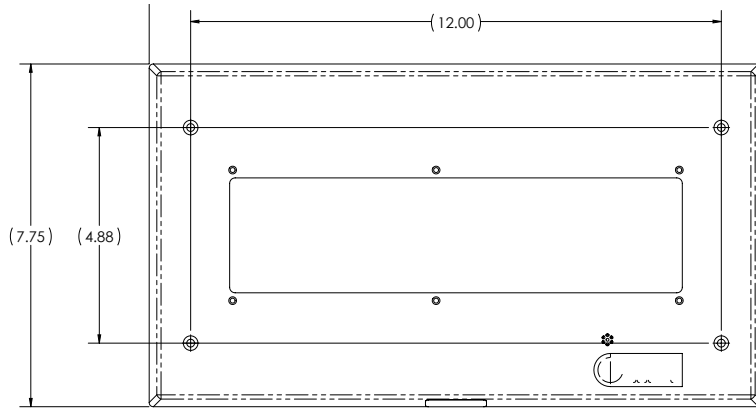
©2016 Atlas Sound L.P. and Innovative Electronic Designs, LLC. All Rights Reserved. Atlas Sound is a trademark of Atlas Sound L.P. IED is a registered trademark of Innovative Electronic Designs, LLC. All other trademarks are the property of their respective owners. All specs are subject to change without notice. ATS005307 RevA 2/16

Time	NTP
Telephony	SIP
Enclosure	
Color	White (RAL 9010)
Grille Material	Powder Coated Steel, White Finish, Paintable
Baffle Material	18-gauge Corrosion-Resistant Zinc Plated Steel
Mounting/Rigging Provisions	Mounting Enclosure is Not Included (See Optional Enclosure)
Safety Agency Ratings	ETL Listed to Comply with UL-60950-1, and CAN/CSA-C22.2 No. 60950-1
Ingress Protection	IP-30
Logo	Blue and Removable
Product Dimensions (HxWxD)	7.75" (196.85mm) x 13.89" (352.81mm) x 3.25" (82.55mm)
Shipping Dimensions (HxWxD)	10" (254mm) x 15.9" (403.8mm) x 6" (152.4mm)
Net Weight - lbs	2.2 lbs (.99kg)
Shipping Weight - lbs	3 lbs (1.4kg)
Warranty Coverage	
Warranty Period	1 Year

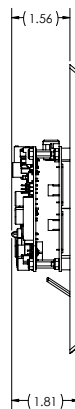
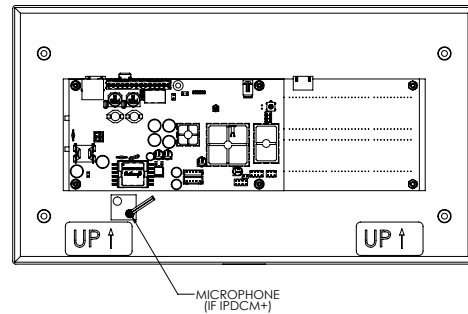
NOTES:

1. Sensitivity: Half space pink noise measurement at 6 ft (1.8 m) at 20% power; extrapolated to 1 meter and an input of 2.83 volts RMS.
2. Watts: All wattage figures are calculated using the rated nominal impedance.
3. Frequency response and sensitivity are half-space measurements.

Dimensional Drawings



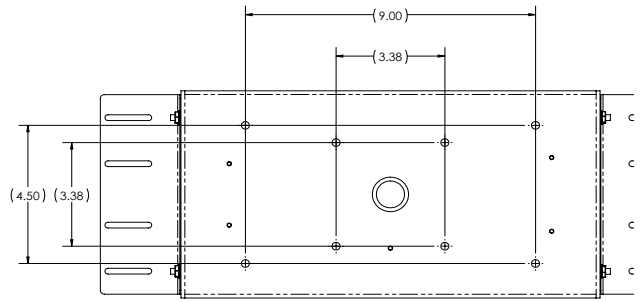
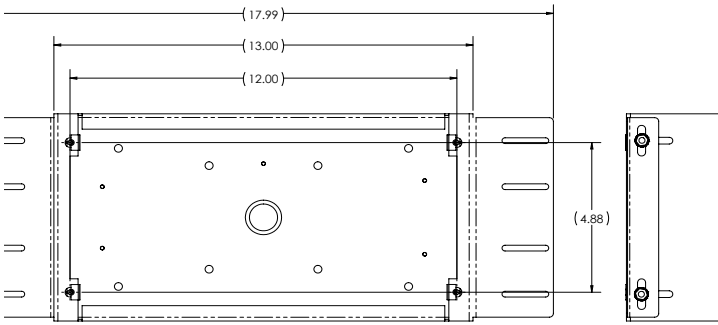
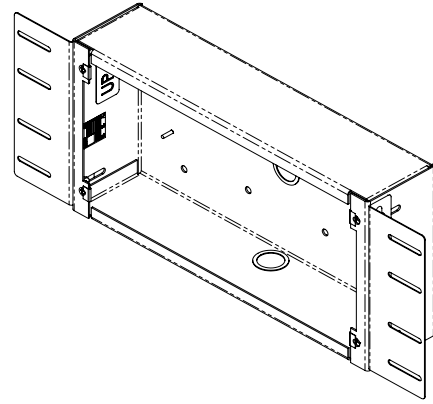
IP SPEAKER CONNECTOR BLOCK	
PIN	FUNCTION
1	REMOTE BUTTON / GPI 2 (+)
2	REMOTE BUTTON / GPI 2 (-)
3	REMOTE BUTTON / GPI 1 (+)
4	REMOTE BUTTON / GPI 1 (-)
5	RELAY (-)
6	RELAY - NORMALLY OPEN (+)
7	LINE-IN (-)
8	LINE-IN (+)
9	LINE-OUT (-)
10	LINE-OUT (+)
11	PRIMARY SPEAKER (-)
12	PRIMARY SPEAKER (+)
13	SECONDARY SPEAKER (-)
14	SECONDARY SPEAKER (+)



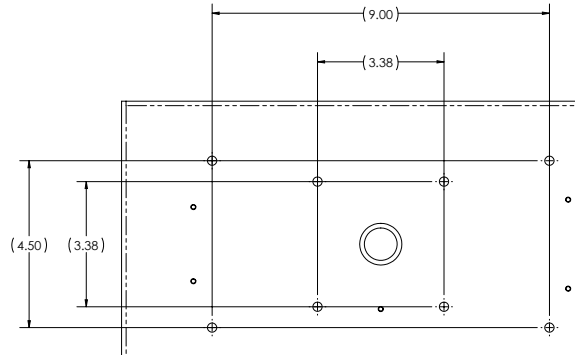
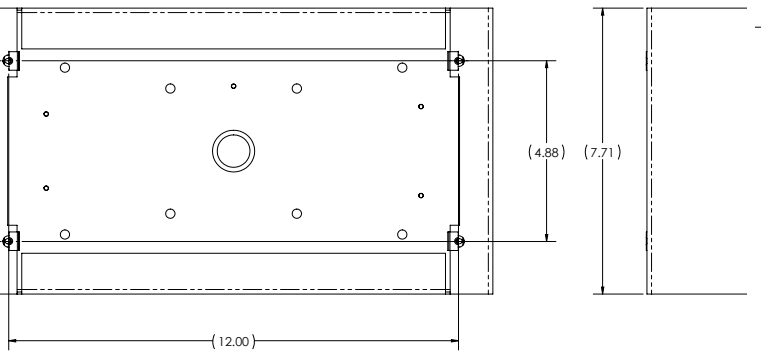
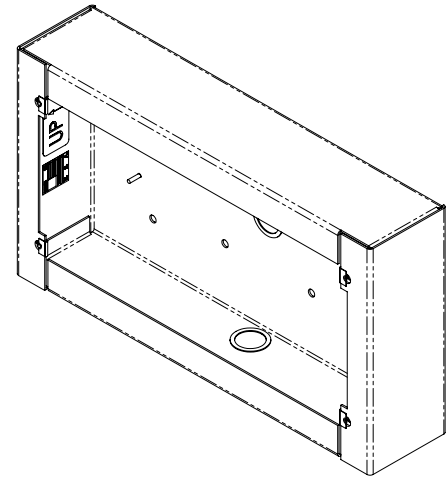
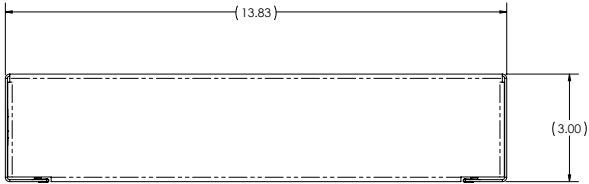
©2016 Atlas Sound L.P. and Innovative Electronic Designs, LLC. All Rights Reserved. Atlas Sound is a trademark of Atlas Sound L.P. IED is a registered trademark of Innovative Electronic Designs, LLC. All other trademarks are the property of their respective owners. All specs are subject to change without notice. ATS005307 RevA 2/16

Optional Accessories

IPDC-FEC



IPDC-SEC



©2016 Atlas Sound L.P. and Innovative Electronic Designs, LLC. All Rights Reserved. Atlas Sound is a trademark of Atlas Sound L.P. IED is a registered trademark of Innovative Electronic Designs, LLC. All other trademarks are the property of their respective owners. All specs are subject to change without notice. ATS005307 RevA 2/16

Architect and Engineer Specifications

The unit shall be an AtlasIED Model IPDCM+. It is an indoor wall mount IP display with integrated talkback microphone. It incorporates an amplifier/control board capable of producing 15-watts RMS when using an IEEE 802.3at compatible PoE+ switch or 24VDC local power supply and 9-watts RMS when used with an IEEE 802.3af compliant PoE switch. Interconnect shall be via female RJ-45 connector mounted to the PCB.

The unit shall incorporate an integrated microphone to allow full duplex talkback communication functionality based upon chosen software platform.

The unit shall incorporate a LED display with viewable dimensions of 10.125" (2577mm) wide x 2.56" (65mm) high. The LEDs per character shall be 16 high x 64 wide and character max height of 2.125" (54mm). It shall produce the color red and be controlled by Time via NTP. The display shall produce 162 lux brightness and display text and/or time.

All control functionality shall be determined via software. The baffle enclosure's overall dimensions shall be 7.75" (196.85mm) x 13.89" (352.81mm) x 3.25" (82.55mm)HxWxD. Finish shall be neutral white electrostatic powder coat.

Optional enclosures shall include:

- | | |
|----------|---------------------------------------------|
| IPDC-FEC | Flush Mount Straight Enclosure for IPDCM+ |
| IPDC-SEC | Surface Mount Straight Enclosure for IPDCM+ |