

M600-DT

Paging/Conference Microphone



Features

- 16" Small Diameter Flexible Gooseneck
- Cast-Alloy Base with Rubber Isolation
- Wide Range Phantom Power 12V-52V DC Operation
- Active / On Blue Illumination Ring On Base
- Easy Access Click Free, Latching Press to Talk Switch
- Excellent Speech Intelligibility with Low Ambient Noise
- High Gain with Effective Feedback Control

Applications

- Classrooms
- Conference Rooms
- Lecture Halls
- Commercial Paging and Announcements

General Description

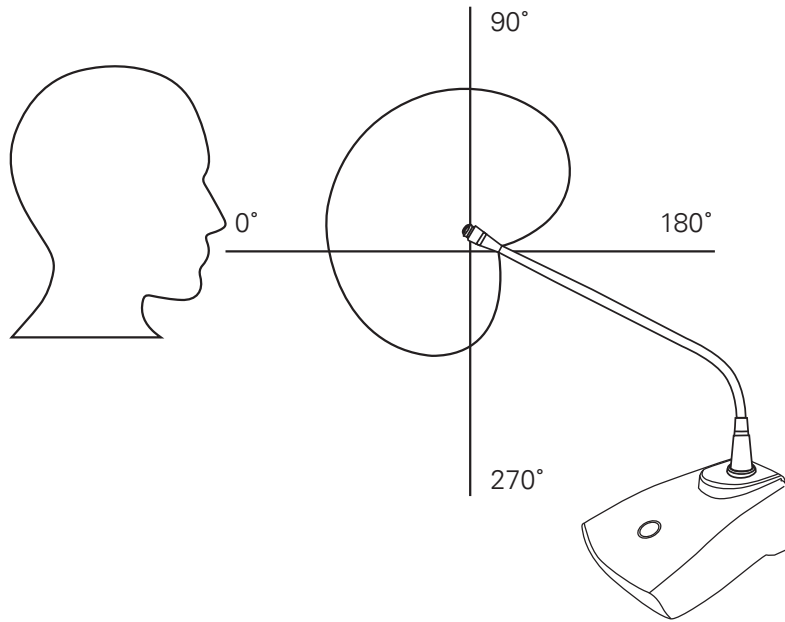
The Atlas IED M600-DT is a high quality cardioid condenser gooseneck microphone for any podium or PA paging / announcement applications. The M600-DT features a casted alloy base with rubber isolation, a slim flexible 16" neck, and a latching press to talk switch with Active / On blue illumination indicator.

The M600-DT features high gain before feedback design that works well in most environments. The high sensitivity and wide frequency pickup allows for exceptional clear sound quality. The M600-DT reinforces the natural sound of the voice and requires little to no EQ.

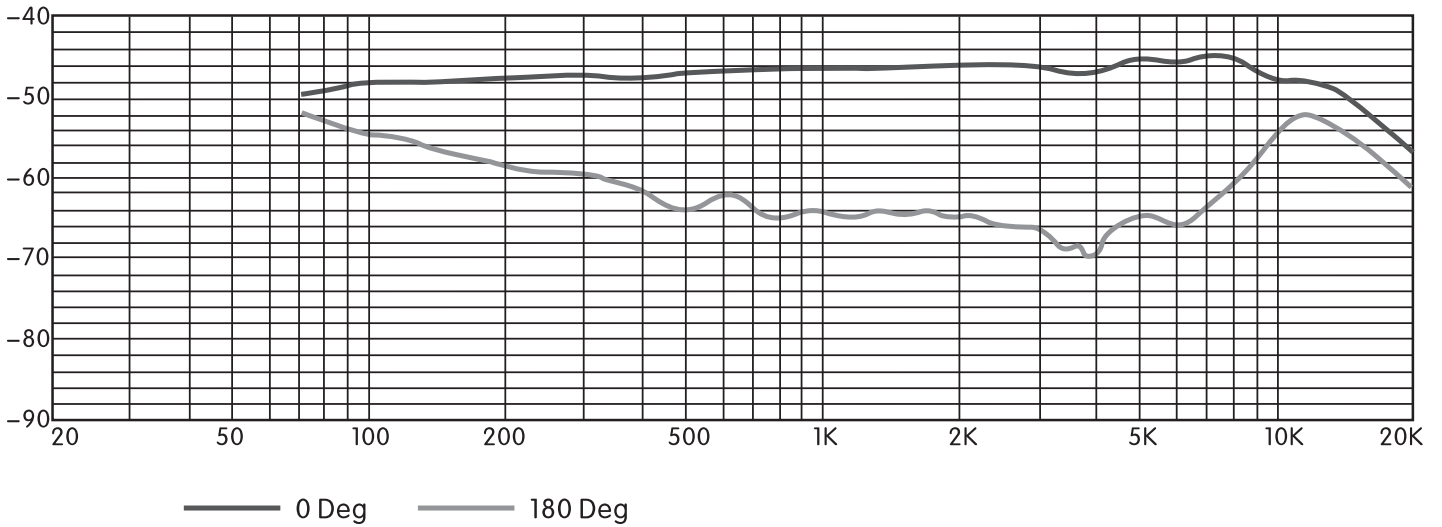
Microphone	
Microphone Type	Condenser
Polar Pattern	Cardioid
Frequency Response	80Hz - 18000Hz
Impedance	250 Ω
Maximum Input Sound Level	133dB SPL, 1 kHz @ 1% T.H.D.
Dynamic Range (Typical)	109dB, 1 kHz @ Max SPL
Sensitivity	-35dB (1 V /Pa)
Switch	On / Mute: Push Latching, On has Blue Illumination Ring
Phantom Power	12V-52V DC, Current Draw 5mA Typical
Output Connector	3-pin XLR - Male Diameter 2.0"
S/N Ratio	>68dB, 1kHz @ 1 Pa
Mechanical	
Base Material	Alloy Casting with Rubber Isolation
Color	Black
Product Dimensions - Base (HxWxD)	1.87" x 4.92" x 5.91" (48mm x 125mm x 150mm)
Capsule Pop Cover	10mm Opening
Microphone Length	16.5" (420mm) (None Removable)
Shipping Dimensions (HxWxD)	6.3" x 5.5" x 24.4" (160mm x 140mm x 620mm)
Net Weight - lbs	2.3lb (1.04kg)
Shipping Weight - lbs	3.3lb (1.5kg)

©2019 Atlas Sound LP. The Atlas "Circle A", Soundolier, and Atlas Sound are trademarks of Atlas Sound L.P. IED is a Registered Trademark of Innovative Electronic Designs LLC. All rights reserved. All other Trademarks are property of their respective owners. No endorsement is implied. Due to continual product development, specifications are subject to change without notice. ATSO05944 RevA 3/19

Polar Pattern

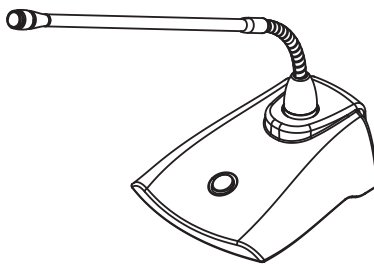
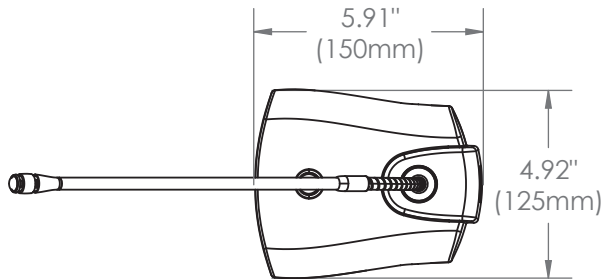
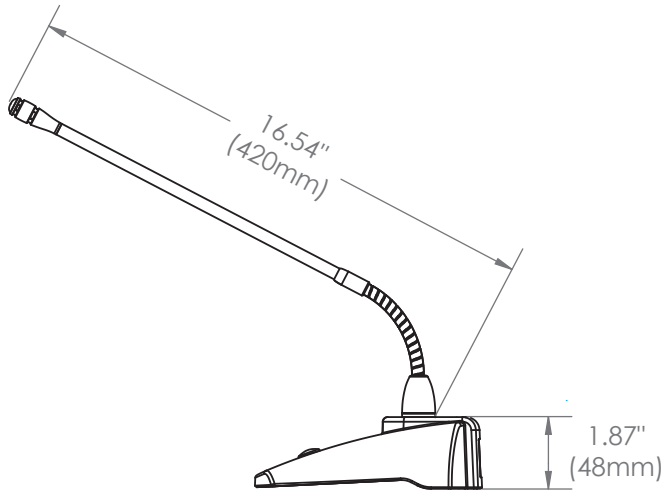
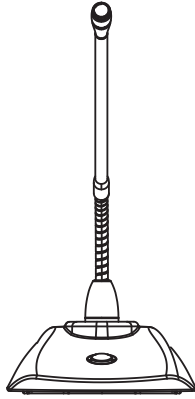


Frequency Response



©2019 Atlas Sound LP. The Atlas "Circle A", Soundolier, and Atlas Sound are trademarks of Atlas Sound L.P. IED is a Registered Trademark of Innovative Electronic Designs LLC. All rights reserved. All other Trademarks are property of their respective owners. No endorsement is implied. Due to continual product development, specifications are subject to change without notice. ATSO05944 RevA 3/19

Dimensional Drawings



©2019 Atlas Sound LP. The Atlas "Circle A", Soundolier, and Atlas Sound are trademarks of Atlas Sound L.P. IED is a Registered Trademark of Innovative Electronic Designs LLC. All rights reserved. All other Trademarks are property of their respective owners. No endorsement is implied. Due to continual product development, specifications are subject to change without notice. ATSO05944 RevA 3/19

Architect and Engineer Specifications

The AtlasIED M600-DT microphone shall be a cardioid condenser goose neck microphone ideal for any podium or PA paging / announcement applications. The M600-DT shall have a cast-alloy base with rubber isolation, a slim flexible 16.5" neck, and a latching press to talk switch with Active / On blue illumination indicator.

It shall have a cardioid polar pattern with a frequency response of 80 Hz to 18,000 Hz with a sensitivity of 35dB (1V / Pa) and S/N Ratio >68dB, 1kHz @ 1Pa . Output shall be low impedance balanced (600 ohms).

The Phantom voltage operating range shall be 12V-52V DC with the impedance of 250 ohm. The microphone connection shall be a 3-pin XLRM-type connector.

The microphone shall be 16.5" (420mm) long and have a head diameter of 0.4" (10.0mm). Weight shall be 2.3lb (1.04kg). The microphone shall include a wind cover.

The AtlasIED M600-DT shall be as specified.