

LookHear

Mobile Audio / Visual Information Delivery System



Features

- Large-format, single-sided A/V unified communications "beacon"
- As part of the GLOBALCOM® ecosystem, LookHear provides critical audio and video information to transportation facilities of all sizes
- Provides ADA-compliant visual paging as a GCK life-safety endpoint
- Locking casters on the base provide easy portability, stability, and flexibility

Applications

LookHear is intentionally designed to provide the commercial transportation industry (e.g., airports, train stations, etc.) with a versatile method for the communication of video and audio messages, including those for paging, public safety, and wayfinding.

The rugged portability of LookHear provides immediate relief in situations where infrastructure gaps exist and serves as a crucial extension of a facility's emergency notification system.

General Description

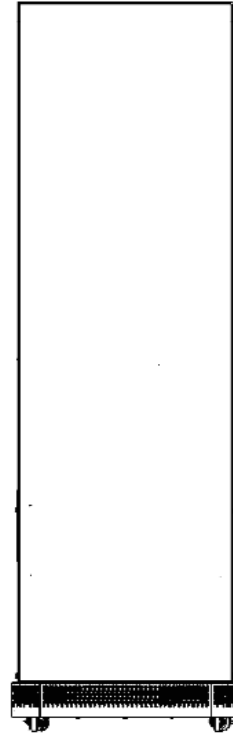
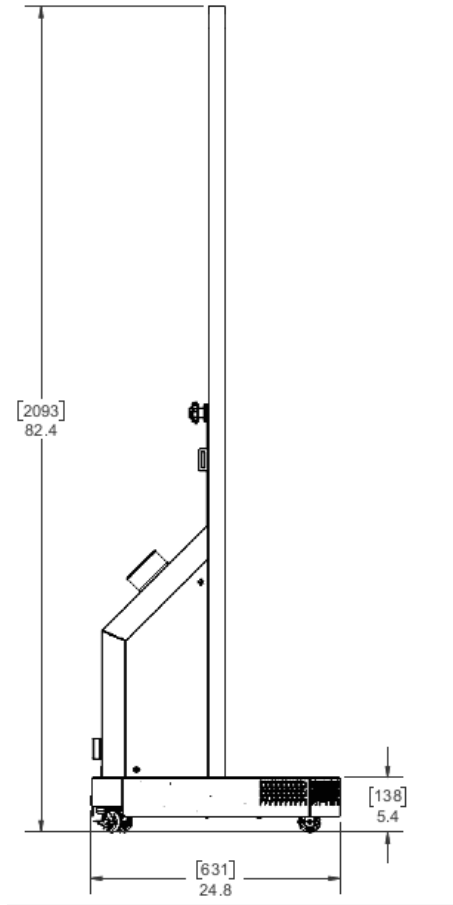
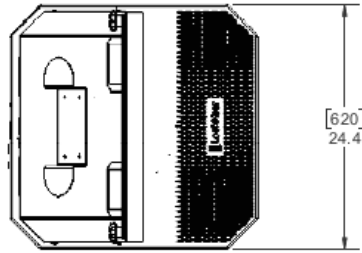
LookHear is a high-quality, visual and audio notification device, and part of the GLOBALCOM® family of announcement control and enterprise-wide communication platform. When combined with GLOBALCOM®, LookHear becomes a seamless extension of a mass communication and life-safety system, while also having the inherent capability of being used for wayfinding and digital signage. Flexibility of use is further evident by the product portability and stability, making it ideal to place in temporary or permanent locations.

Setting LookHear apart is AtlasIED's customized premium audio, amplifiers, and CBT line-array speakers. The "beacon" is engineered with self-contained and secured hardware to seamlessly integrate into the facility's GLOBALCOM® system. Being a cooperatively designed asset, LookHear also boasts a high-brightness display able to showcase innovative, transformational static and dynamic video content, provided by Synect—a well-known content creation and technical solutions partner in the transportation sector.

Dimensions and Weight	
Height	82.4"
Width	24.4"
Depth	24.8"
Weight	166 lbs
Electrical	
Supply Voltage	120 VAC 60Hz
Rated Input Current: Base + Display	7 Amps Max
Power Consumption	840 Watts Max
Environmental	
Operating Temperature Range	+32°F - +91.4°F (0°C - 33°C)
Storage Temperature Range	-4°F - +158°F (-20°C - +70°C)
Connectors	
Power	NEMA5-15
Ethernet	RJ-45
Display	
Application Environment	Indoor
Pixel Pitch	1.995mm
Brightness	≥800nits
Viewing Angle-Horizontal	140° (+70°/-70°)
Viewing Angle-Vertical	140° (+70°/-70°)
Panel Width (Not including base)	24.17"
Panel Height (Not including base)	78.03"
Panel Material	Aluminum
Ingress Protection (Front/back)	IP30/IP30
Pixel Density	251,255/ m ²
Frame Rate	50Hz/60Hz
Refresh Rate	≥2880Hz
Lifetime (50% brightness)	≥100,000 hours
Acoustical (Base)	
Type	Full Range, Loudspeaker CBT Array
Operation Mode	Powered - 70W x 2
Operating Range (-10dB)	84 Hz - 15.5 kHz
Frequency Response (+/-5dB)	87 Hz - 15 kHz
Input Sensitivity @ 1W/1m	85.9 dB
Input Sensitivity @ 1W/4m	72.8 dB
Vertical Coverage	277° @ 2kHz
Horizontal Coverage	110° @ 2kHz
Directivity Factor (DI)	8.71 @ 2kHz
Max SPL @ 2m	TBD
Max SPL @ 4m	TBD

©2022 Atlas Sound L.P. The Atlas "Circle-A", Soundolier, and Atlas Sound are trademarks of Atlas Sound L.P. IED is a Registered Trademark of Innovative Electronic Designs LLC. All rights reserved. All other Trademarks are property of their respective owners. No endorsement is implied. Due to continual product development, specifications are subject to change without notice. ATSO07061 RevB 11/22

Dimensional Drawings



©2022 Atlas Sound L.P. The Atlas "Circle-A", Soundolier, and Atlas Sound are trademarks of Atlas Sound L.P. IED is a Registered Trademark of Innovative Electronic Designs LLC. All rights reserved. All other Trademarks are property of their respective owners. No endorsement is implied. Due to continual product development, specifications are subject to change without notice. ATSO07061 RevB 11/22

©2022 Atlas Sound L.P. The Atlas "Circle-A", Soundolier, and Atlas Sound are trademarks of Atlas Sound L.P. IED is a Registered Trademark of Innovative Electronic Designs LLC. All rights reserved. All other Trademarks are property of their respective owners. No endorsement is implied. Due to continual product development, specifications are subject to change without notice. ATSO07061 RevB 11/22

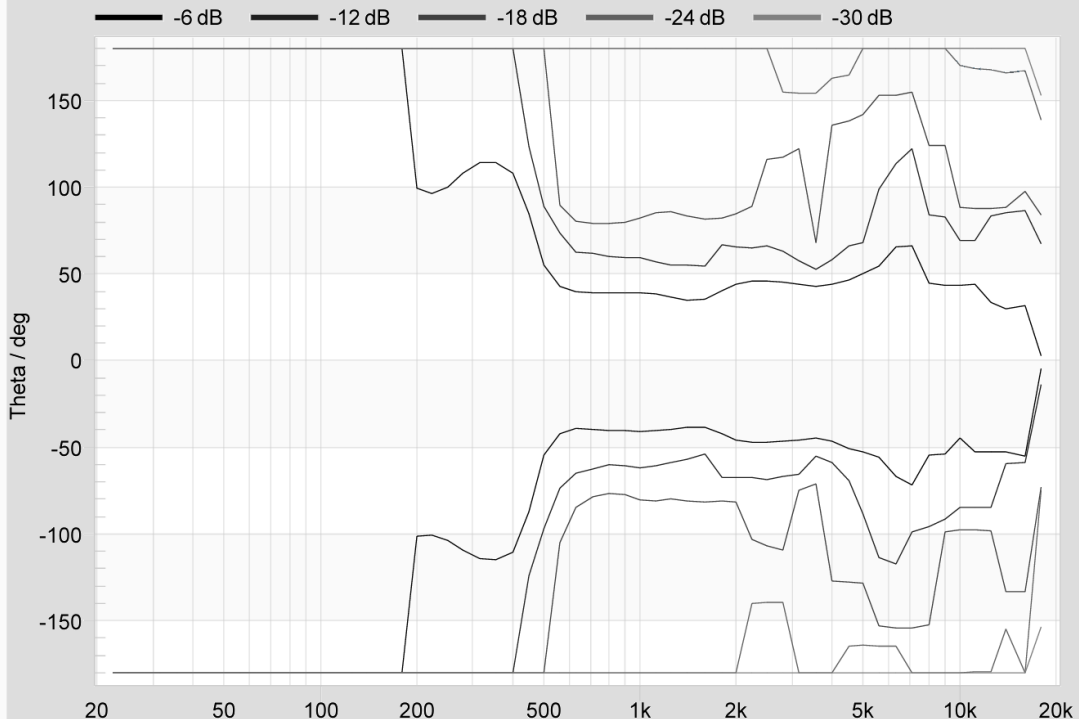
SPL vs Freq



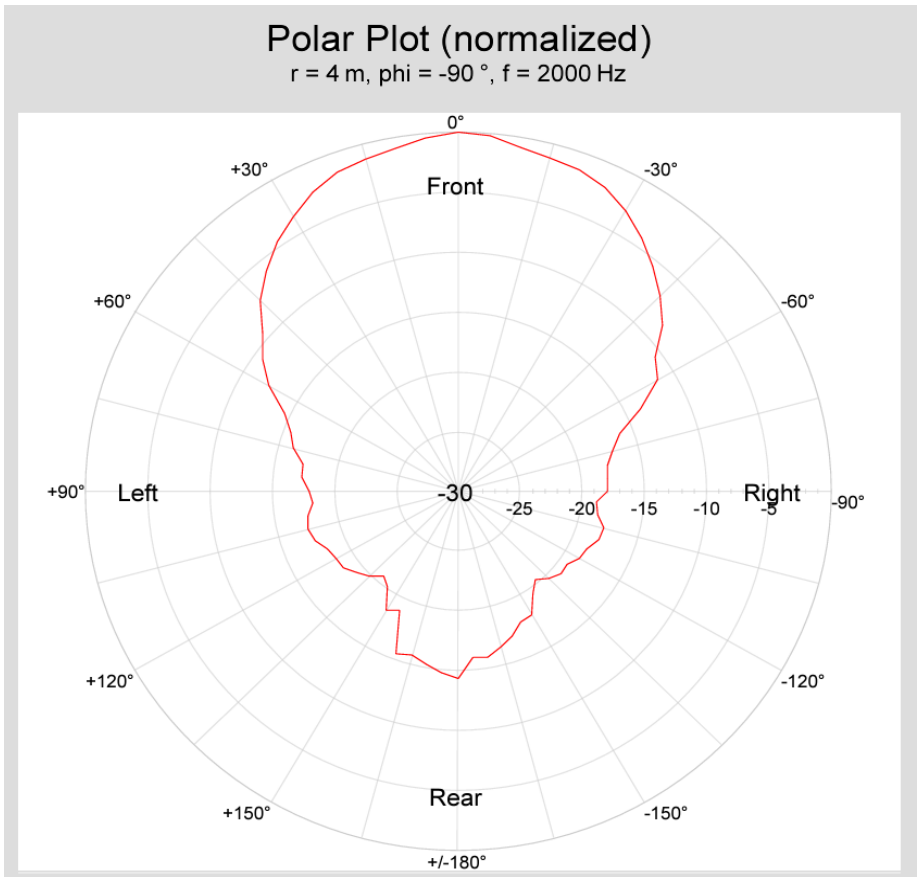
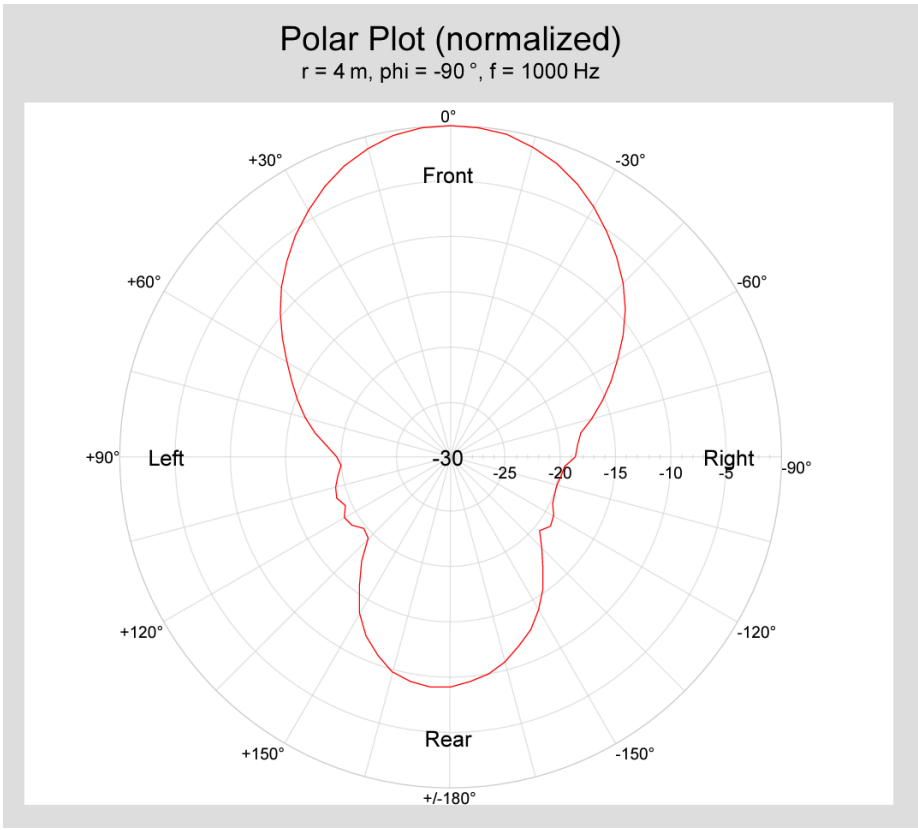
LookHear Frequency Response with 2.83V at a 4m (13.1 ft) distance and at a listening position of 1.7m (5.5 ft) high with DSP applied.

Beamwidth

$r = 4 \text{ m}$, $\phi = -90^\circ$, Reference: On-Axis, smoothed 1/oct.



©2022 Atlas Sound L.P. The Atlas "Circle-A", Soundolier, and Atlas Sound are trademarks of Atlas Sound L.P. IED is a Registered Trademark of Innovative Electronic Designs LLC. All rights reserved. All other Trademarks are property of their respective owners. No endorsement is implied. Due to continual product development, specifications are subject to change without notice. ATSO07061 RevB 11/22



Architect and Engineer Specifications

The Mobile Information Delivery System shall be AtlasIED/Synect LookHear. The system comprises a 24.2" by 78" LED display panel that is secured to a sturdy base with lockable casters. The base features an array of 10 full-range 2.5" drivers to provide high-definition directional audio to accompany the video content via the display.

The LookHear system shall be a flexible, mobile extension of the GLOBALCOM® ecosystem and shall be configured in much the same way as other GLOBALCOM® Devices using the GLOBALCOM® control system software GCK. The system also provides a media player for other audio/visual content as required.

Frequency response for the system shall be 84 Hz - 15.5 kHz. Sensitivity shall be 85.9dB average (1W @ 1m). Vertical and Horizontal Coverage shall be 277 degrees @ 2kHz Octave Band and 110 degrees @ 2kHz.

For safety, the system shall have locking casters on the bottom of the base to ensure stability.

The system shall be safety listed to:

USA Safety Base: Conforms to UL STD 62368-1

Canada Safety Base: Certified to CSA STD C22.2 #62368-1

USA Safety Display: Conforms to UL STD 60950-1

Canada Safety Display: Certified to CSA STD C22.2 #60950-1

The system shall comply with:

USA FCC: Title 47, Part 15 Subpart B Class A

Canada: ICES-003 Class A

The system shall be AtlasIED/Synect LookHear.