

FC SERIES

ISOFLARE™ PREMIUM LOUDSPEAKERS

INSTALLATION GUIDE





FC SERIES

ISOFLARE™ PREMIUM LOUDSPEAKERS

INSTALLATION GUIDE

INTRODUCTION

The IsoFlare™ FC range is the new benchmark in point source technology for prestigious commercial environments. Decades of experience from acoustic and mechanical engineers specializing in this technology have honed existing skills complemented with the very latest in design & engineering techniques to bring IsoFlare™ to the premium commercial space in an integrated package.

THIS GUIDE COVERS:

- Blind Mount ceiling tile & drywall installation for:
 - FC-4T
 - FC-4TLP
 - FC-6T
 - FC-8T
 - FC-8ST
- Pre Install installation for:
 - FC-6TPI
 - FC-8TPI
- Loudspeaker removal for:
 - all FC models
- Painting instructions
 - all FC models

FC SERIES

ISOFLARE™ PREMIUM LOUDSPEAKERS



INSTALLATION GUIDE

TABLE OF CONTENTS

BLIND MOUNT – DROP CEILING TILE INSTALLATION

Summary of Steps – Blind Mount Ceiling Tile Installation	4
Tools Required – Blind Mount Ceiling Tile Installation	4
Step 1 – Remove ceiling tile.....	4
Step 2 – Mark cutout hole on ceiling tile.....	5
Step 3 – Cut hole in ceiling tile	6
Step 4 – Replace ceiling tile & assemble tile bridge C-ring assembly.....	7
Step 5 – Bring cables through loudspeaker hole.....	8
Step 6 – Connect safety tether to loudspeaker.....	9
Step 7 – Terminate & connect loudspeaker wire to loudspeaker	10
Step 8 – Insert loudspeaker through front of tile & secure in place	11-12
Step 9 – Select transformer tap setting.....	13
Step 10 – Install magnetic grille.....	14

BLIND MOUNT – DRYWALL INSTALLATION

Summary of Steps – Blind Mount Drywall Installation.....	15
Tools Required – Blind Mount Drywall Installation.....	15
Step 1 – Mark hole on ceiling	15
Step 2 – Cut hole in ceiling.....	16
Step 3 – Place C-ring into ceiling and place around loudspeaker hole.....	17
Step 4 – Bring cables through loudspeaker hole	18
Step 5 – Connect safety tether to loudspeaker.....	19
Step 6 – Terminate & connect loudspeaker wire to loudspeaker	20
Step 7 – Insert loudspeaker through front of drywall and secure in place	21
Step 8 – Select transformer tap setting.....	23
Step 9 – Install magnetic grille.....	24

PRE-INSTALL – INSTALLATION

Summary of Steps – Pre-Install Installation	25
Tools Required – Pre-Install Installation	25
Step 1 – Connect safety tether to back can.....	25
Step 2 – Connect conduit or prepare other wiring method to back can	26
Step 3 – Terminate & connect loudspeaker wire to loudspeaker	27
Step 4 – Affix loudspeaker back can to desired location.....	28-30
Step 5 – Mark cutout circle and cut hole	31
Step 6 – Wire driver assembly to back can.....	32
Step 7 – Install driver assembly into the back can.....	33-34
Step 8 – Select transformer tap setting.....	35
Step 9 – Install magnetic grille.....	36

LOUDSPEAKER REMOVAL

Step 1 – Disengage T handle.....	37
Step 2 – Slide clamp release button	38
Step 3 – Repeat for remaining and remove loudspeaker	38

PAINTING INSTRUCTIONS

Summary of Steps – Painting Instructions	39
Tools Required – Painting Instructions.....	39
Step 1 – Remove grille cloth.....	39
Step 2 – Remove logo.....	40
Step 3 – Clean the grille.....	40
Step 4 – Prepare the painting area.....	40
Step 5 – Paint the grille.....	41
Step 6 – Replace grille cloth	42
Step 7 – Install magnetic grille.....	43



FC SERIES

ISOFLARE™ PREMIUM LOUDSPEAKERS



INSTALLATION GUIDE

BLIND MOUNT - DROP CEILING TILE INSTALLATION

SUMMARY OF STEPS – Blind Mount Drop Ceiling Tile Installation

- **Step 1** – Remove ceiling tile
- **Step 2** – Mark cutout hole on ceiling tile
- **Step 3** – Cut hole in ceiling tile
- **Step 4** – Replace ceiling tile & assemble tile bridge C-ring assembly
- **Step 5** – Bring cables through loudspeaker hole
- **Step 6** – Connect safety tether to loudspeaker
- **Step 7** – Terminate & connect loudspeaker wire to loudspeaker
- **Step 8** – Insert loudspeaker through front of tile & secure in place
- **Step 9** – Select transformer tap setting
- **Step 10** – Install magnetic grille

TOOLS REQUIRED – Blind Mount Drop Ceiling Tile Installation

Included Part (Blind Mount models only)	Qty per loudspeaker
IsoFlare™ Premium Ceiling Loudspeaker	1
Cutout template	1
Tile Support Rails	2
C-Ring	1
C-Ring screws	2
Euroblock Connector	1
Grille (Round White)	1

- Required Tools**
- Ceiling tile knife or saw
 - Phillips screwdriver
 - Small flathead screwdriver
 - Wire strippers

Step 1 – Remove ceiling tile

Remove the 2' x 2', 2 x 4', or 600 x 600 mm tile from drop ceiling and ensure cabling is in the correct location (Figure 1).

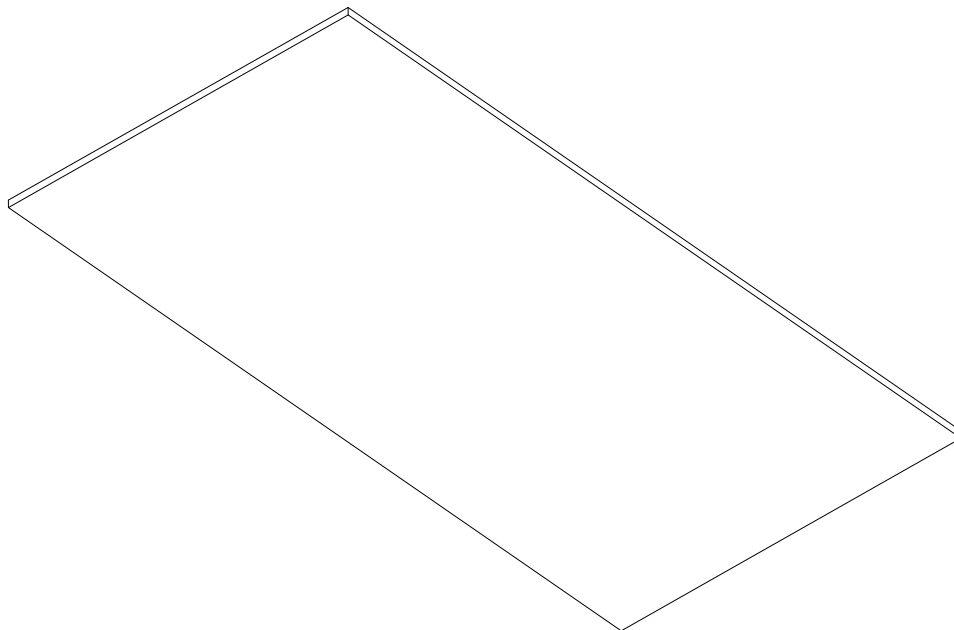


Figure 1



FC SERIES

ISOFLARE™ PREMIUM LOUDSPEAKERS



INSTALLATION GUIDE

BLIND MOUNT - DROP CEILING TILE INSTALLATION (CONTINUED)

Step 2 – Mark cutout on ceiling tile

Using the template provided (Figure 2), mark the appropriately sized cutout circle on the ceiling tile with a marker or other tool (Figure 3).

Model	Cutout Diameter
FC-4T	Ø 7.56" (192mm)
FC-4TLP	Ø 9.76" (248mm)
FC-6T, FC-6TPI	Ø 9.76" (248mm)
FC-8T, FC-8TPI, FC-8ST	Ø 11.57" (294mm)

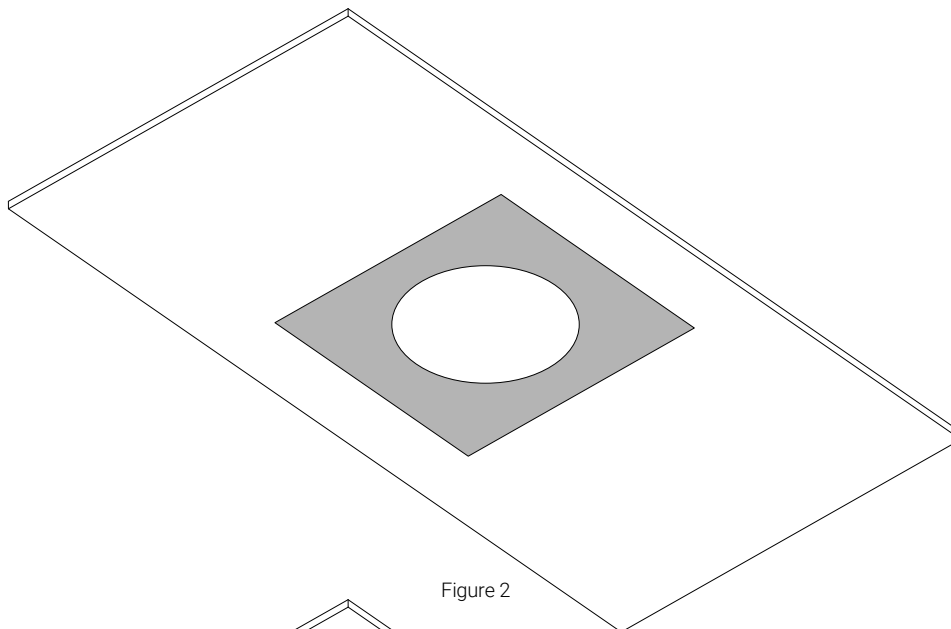


Figure 2

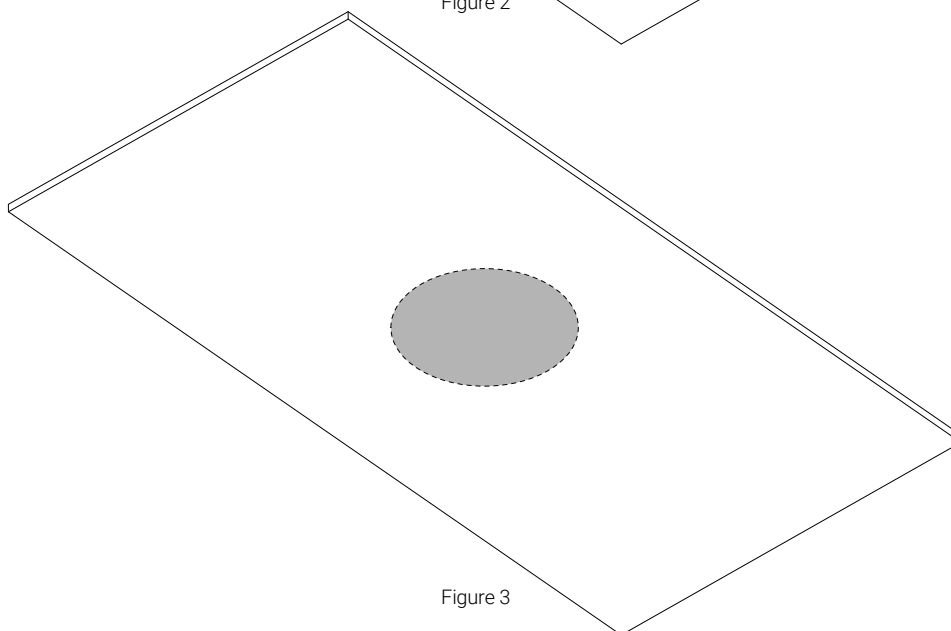


Figure 3



FC SERIES

ISOFLARE™ PREMIUM LOUDSPEAKERS



INSTALLATION GUIDE

BLIND MOUNT - DROP CEILING TILE INSTALLATION (CONTINUED)

Step 3 – Cut hole in ceiling tile

Cut the round hole for the loudspeaker using appropriate saw or other tool (Figure 4). For easy cleanup, make the cut over a garbage can or other receptacle.

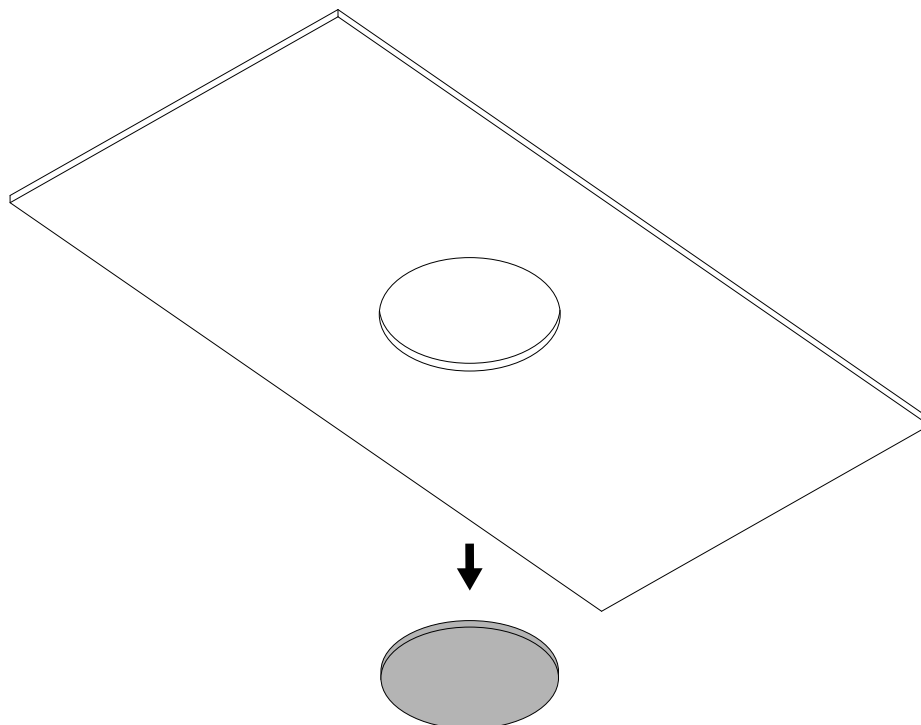


Figure 4



FC SERIES

ISOFLARE™ PREMIUM LOUDSPEAKERS



INSTALLATION GUIDE

BLIND MOUNT - DROP CEILING TILE INSTALLATION (CONTINUED)

Step 4 – Replace ceiling tile & assemble tile bridge C-ring assembly

Place the ceiling tile back into the ceiling tile grid.

Through the hole in the tile, place the two tile bridges above the tile and position them to rest on the tile grid structure. Place the C-ring through the hole in the tile and position to rest on the tile bridges and directly above the hole.

When aligned, fasten the C-ring to the tile bridges on the inside edges until secure using the included C-ring screws (Figure 5).

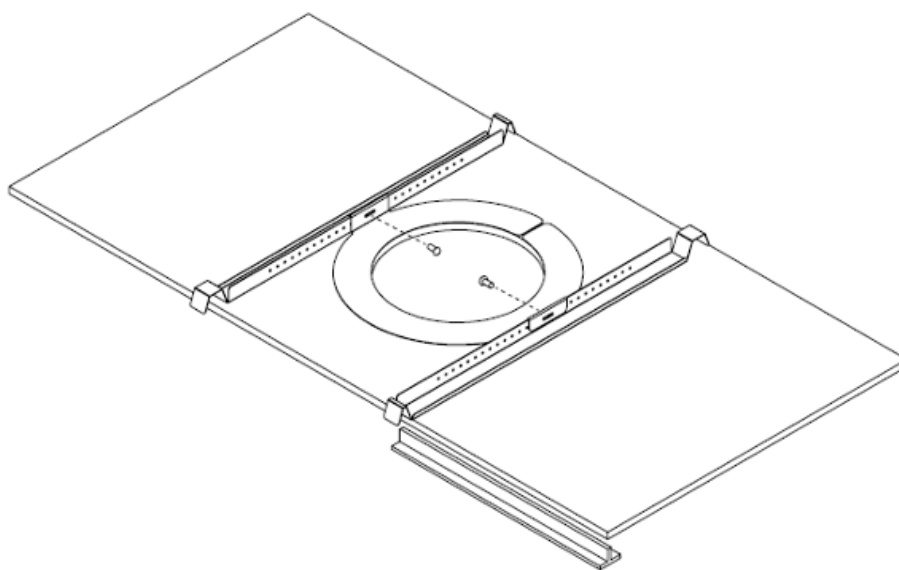


Figure 5



FC SERIES

ISOFLARE™ PREMIUM LOUDSPEAKERS



INSTALLATION GUIDE

BLIND MOUNT - DROP CEILING TILE INSTALLATION (CONTINUED)

Step 5 – Bring cables through loudspeaker hole

Bring both the loudspeaker cable and safety cable from grid through the hole in the tile (Figure 6).

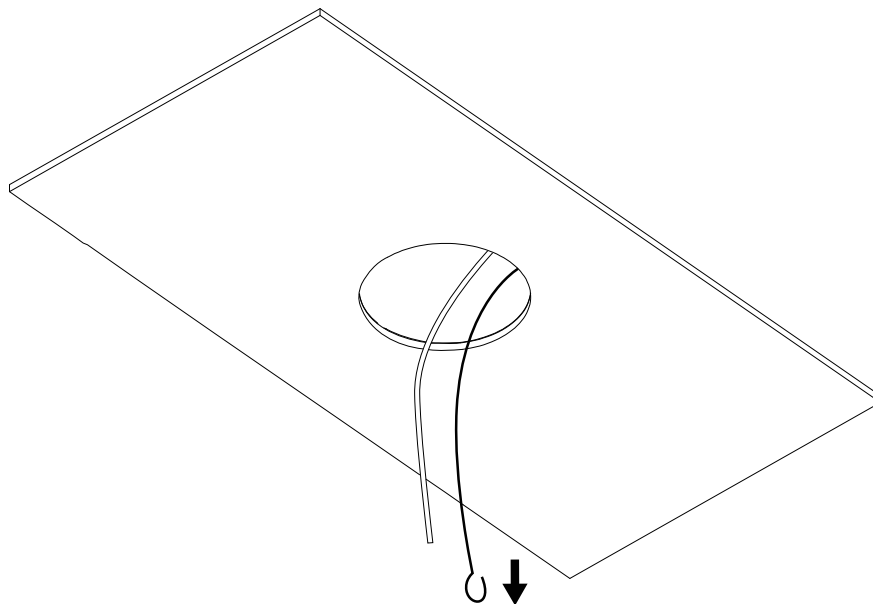


Figure 6

FC SERIES

ISOFLARE™ PREMIUM LOUDSPEAKERS



INSTALLATION GUIDE

BLIND MOUNT - DROP CEILING TILE INSTALLATION (CONTINUED)

Step 6 – Connect safety tether to loudspeaker

For safety and seismic considerations, suspension rings are integrated on the back can of the loudspeaker. AtlasIED strongly suggests that a support wire be installed from one of these points to a suitable anchor point above the ceiling grid (Figure 7).

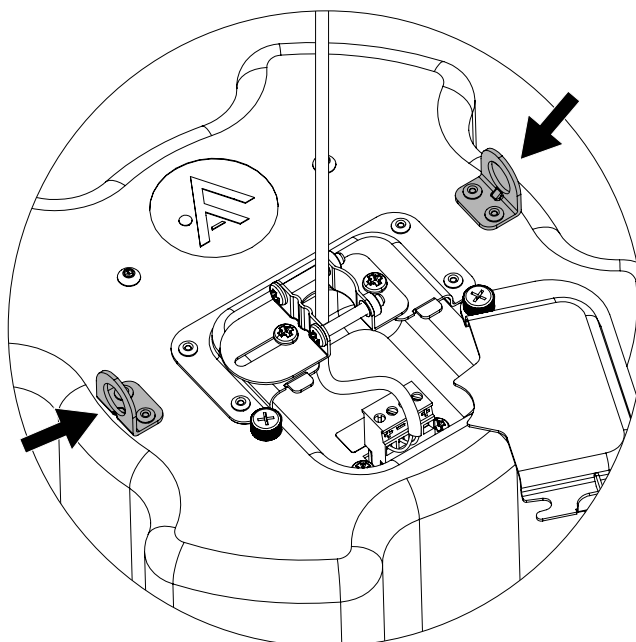


Figure 7



FC SERIES

ISOFLARE™ PREMIUM LOUDSPEAKERS



INSTALLATION GUIDE

BLIND MOUNT - DROP CEILING TILE INSTALLATION (CONTINUED)

Step 7 – Terminate & connect loudspeaker wire to loudspeaker

Swing open the connector cover on the back of the loudspeaker to expose the input connector. Run the loudspeaker cable from the top through the cable clamp and into the cavity. Pull extra cable through to work with.

On the loudspeaker wire, strip off approximately 3/16" (5mm) of insulation from each wire and insert the wire into the correct pin opening on the connector. Use a small flat head screwdriver to tighten the connector around the wire (Figure 8).

Connect the Input pins to the amplifier upstream. Connect the Output pins to any additional 70.7/100V loudspeakers downstream or to a second loudspeaker for 4Ω operation, if used in low impedance mode.

Connect the loudspeaker wire to the loudspeaker input connector (Figure 9). Tighten the cable clamp and close the connector door.

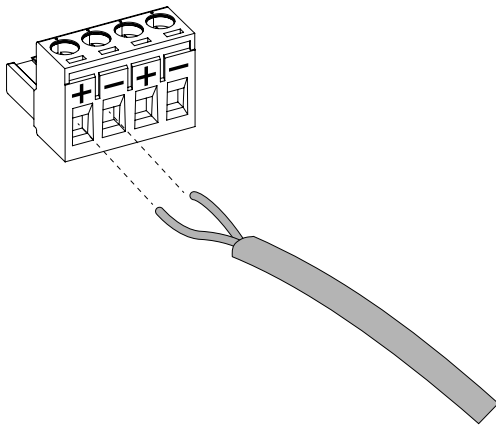


Figure 8

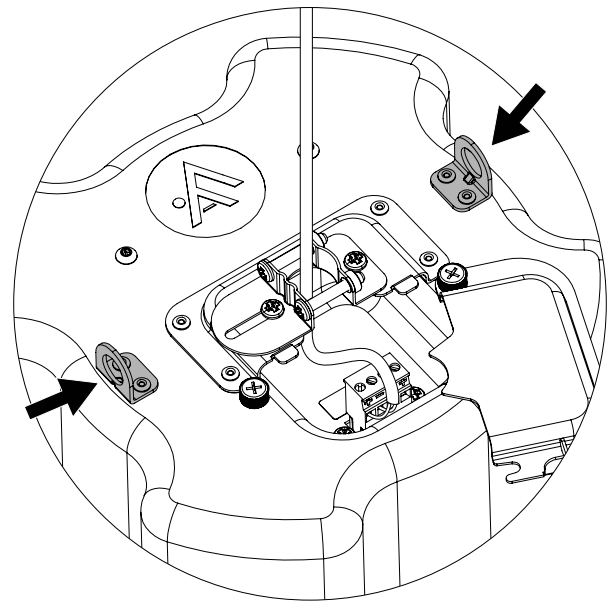
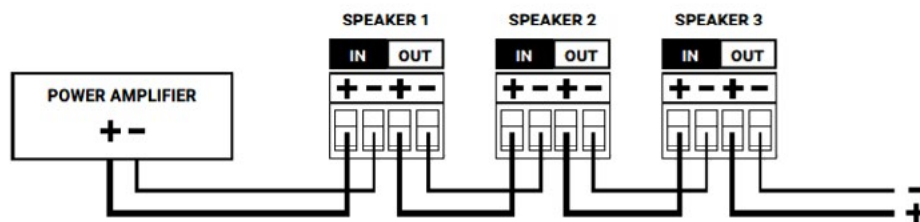


Figure 9



Wiring Diagram

FC SERIES

ISOFLARE™ PREMIUM LOUDSPEAKERS



INSTALLATION GUIDE

BLIND MOUNT - DROP CEILING TILE INSTALLATION (CONTINUED)

Step 8 – Insert loudspeaker through front of tile & secure in place

Ensure that the mounting doglegs are in their default nested position and insert the loudspeaker through the hole in the tile (Figure 10).

Secure the loudspeaker in place by pulling the T-handles to tighten the doglegs:

- Disengage first T-handle from default installed position (Figure 11).
- Pull T-handle down firmly in a smooth continuous motion until the dogleg engages the C-ring and tile (Figure 12). Pull handle tight to lock in place.
- Push the "T-handle" upwards and align with the locking tab on the handle, placing it back to its default starting position (Figure 13).
- Repeat steps A - C above for all remaining T-handles.

Note 1: The FC 4" and 6" loudspeakers have a maximum clamping distance of 2.0". For installation surfaces thicker than 1.5" remove the reusable black rubber boot from each dogleg clamp prior to inserting the enclosure through the front of the tile.

Note 2: The FC 8" loudspeakers have a maximum clamping distance of 1.7". For installation surfaces thicker than 1.17" remove the reusable black rubber boot from each dogleg clamp prior to inserting the enclosure through the front of the tile.

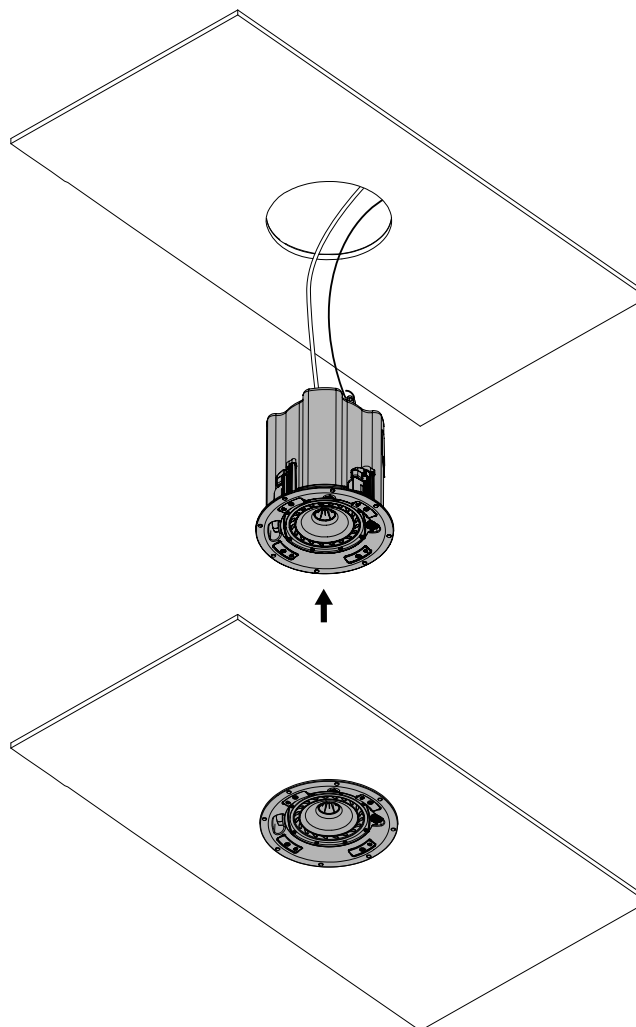


Figure 10

(Step 8 continues on next page)



FC SERIES

ISOFLARE™ PREMIUM LOUDSPEAKERS



INSTALLATION GUIDE

BLIND MOUNT - DROP CEILING TILE INSTALLATION (CONTINUED)

Step 8 – (continued)

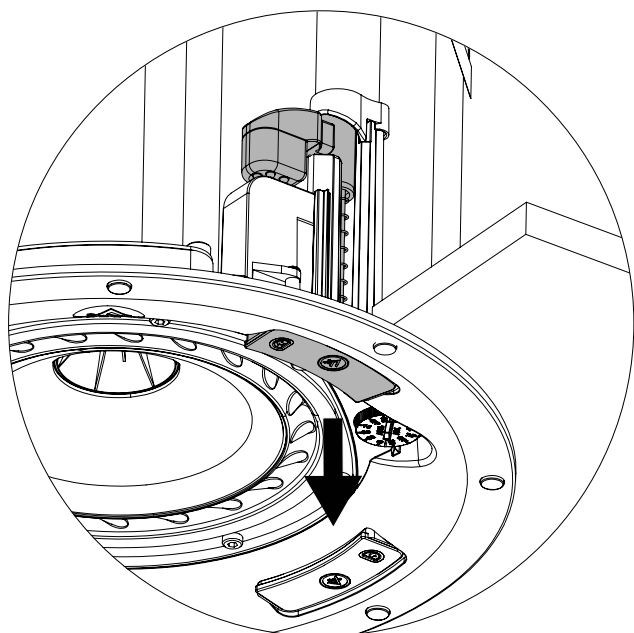


Figure 11

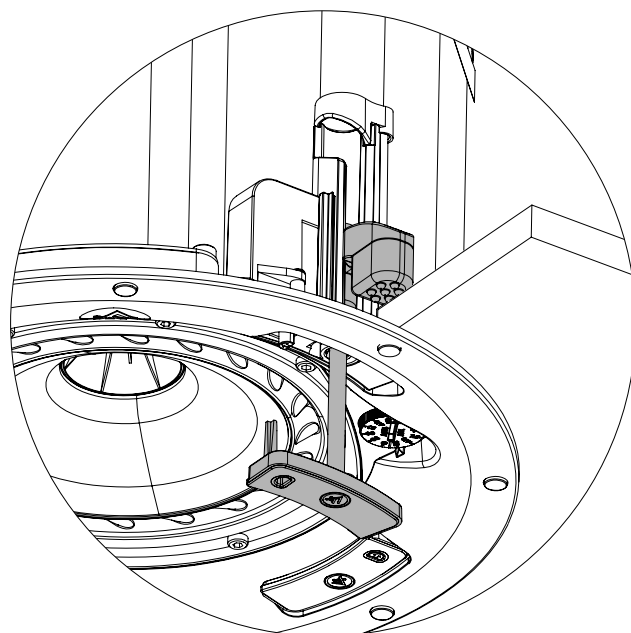


Figure 12

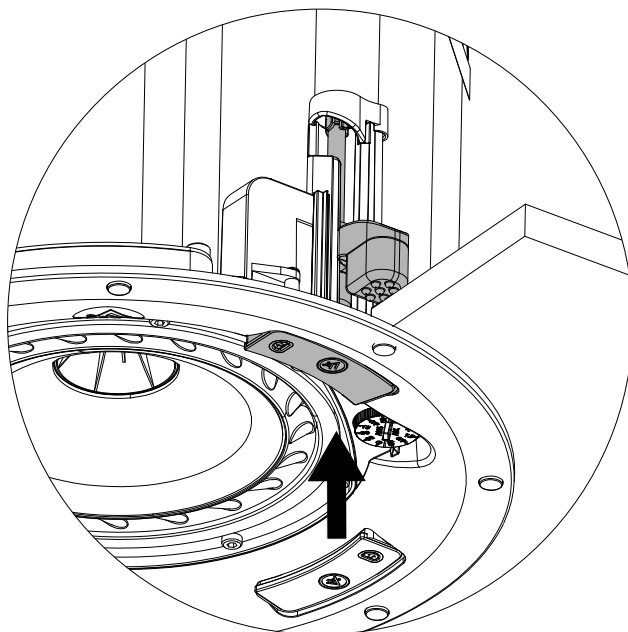


Figure 13

FC SERIES

ISOFLARE™ PREMIUM LOUDSPEAKERS



INSTALLATION GUIDE

BLIND MOUNT - DROP CEILING TILE INSTALLATION (CONTINUED)

Step 9 – Select transformer tap setting

Turn the circular transformer tap switch to align the desired wattage tap with the arrows (Figure 14). The wattage values are shown on the top of the switch, with 70.7V values on one side and 100V values on the other side. The 8Ω bypass position is in the middle and aligns with both arrows.

Note: All loudspeakers are shipped in their lowest 70.7/100V tap setting.

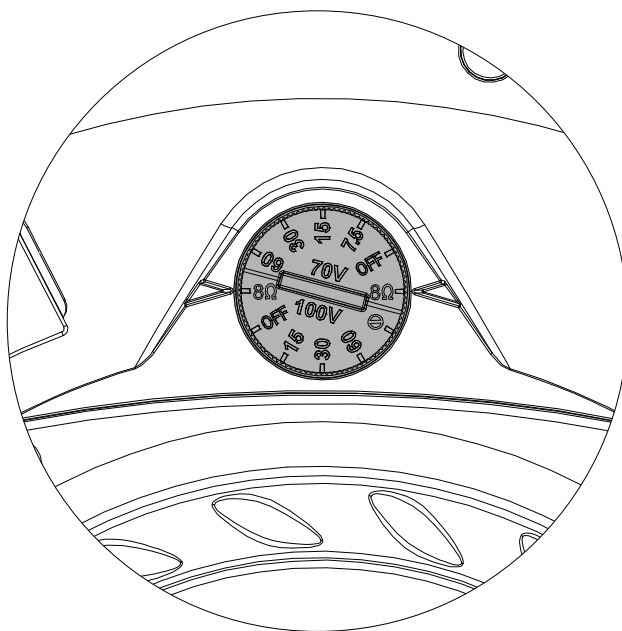


Figure 14



FC SERIES

ISOFLARE™ PREMIUM LOUDSPEAKERS



INSTALLATION GUIDE

BLIND MOUNT - DROP CEILING TILE INSTALLATION (CONTINUED)

Step 10 – Install magnetic grille

Place the grille over the loudspeaker baffle until magnetically engaged (Figure 15).

Each FC series loudspeaker includes a round white magnetic grille. Optional square and black magnetic grilles are available. Visit AtlasIED.com for details.

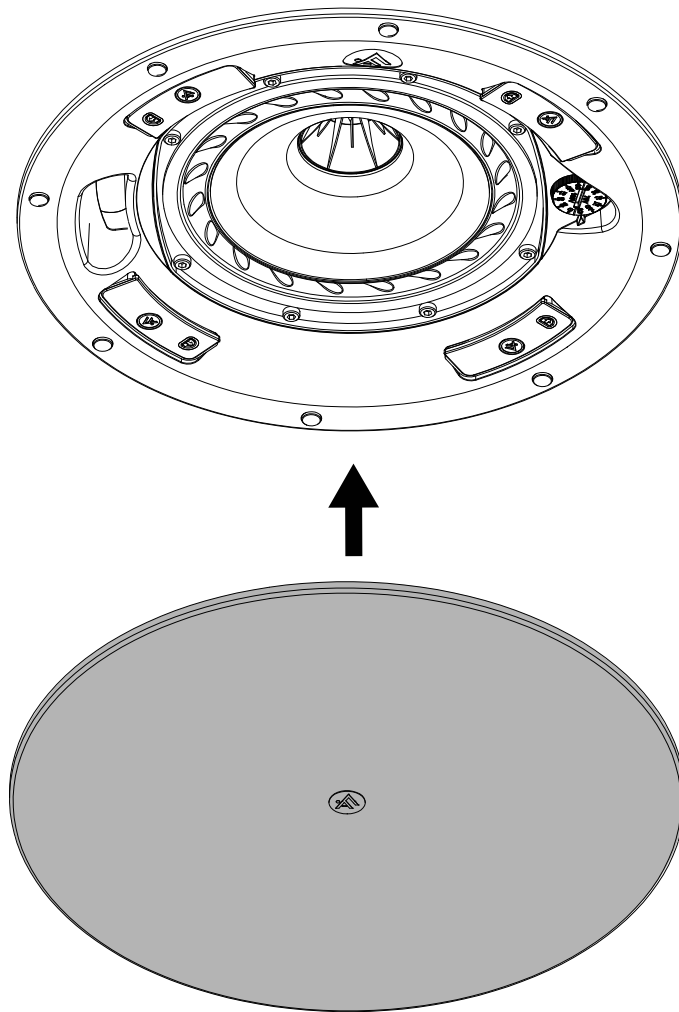


Figure 15

Part Numbers	4 inch	6 inch	8 inch
Round White (Included)	1-17418	1-17227	1-17430
Round Black	1-19699	1-19700	1-19701
Square White	1-17555	1-17556	1-17557
Square Black	1-19696	1-19697	1-19698

FC SERIES

ISOFLARE™ PREMIUM LOUDSPEAKERS



INSTALLATION GUIDE

BLIND MOUNT - DRYWALL INSTALLATION

SUMMARY OF STEPS – Blind Mount Drywall Installation

- **Step 1** – Mark hole on ceiling
- **Step 2** – Cut hole in ceiling
- **Step 3** – Place C-ring into ceiling and place around loudspeaker hole
- **Step 4** – Bring cables through loudspeaker hole
- **Step 5** – Connect safety tether to loudspeaker
- **Step 6** – Terminate & connect loudspeaker wire to loudspeaker
- **Step 7** – Insert loudspeaker through front of drywall and secure in place
- **Step 8** – Select transformer tap setting
- **Step 9** – Install magnetic grille

TOOLS REQUIRED – Blind Mount Drywall Installation

Included Part (Blind Mount models only)	Qty per loudspeaker
IsoFlare™ Premium Ceiling Loudspeaker	1
Cutout template	1
C-Ring	1
Euroblock Connector	1
Grille (Round White)	1

- Required Tools**
- Drywall knife or saw
 - Small flathead screwdriver
 - Phillips screwdriver
 - Wire strippers

Step 1 – Mark hole on ceiling

Using the template provided, mark the appropriately sized cutout circle on the ceiling with a marker or other tool (Figure 16).

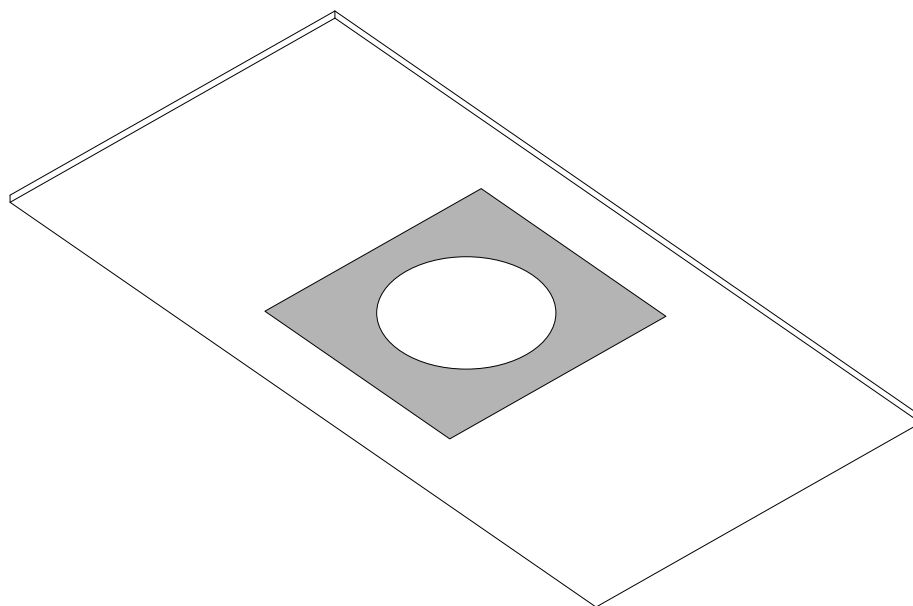


Figure 16

Model	Cutout Diameter
FC-4T	Ø 7.56" (192mm)
FC-4TLP	Ø 9.76" (248mm)
FC-6T, FC-6TPI	Ø 9.76" (248mm)
FC-8T, FC-8TPI, FC-8ST	Ø 11.57" (294mm)

FC SERIES

ISOFLARE™ PREMIUM LOUDSPEAKERS



INSTALLATION GUIDE

BLIND MOUNT - DRYWALL INSTALLATION (CONTINUED)

Step 2 – Cut hole in ceiling

Cut a round hole for the loudspeaker using appropriate saw or other tool (Figure 17).

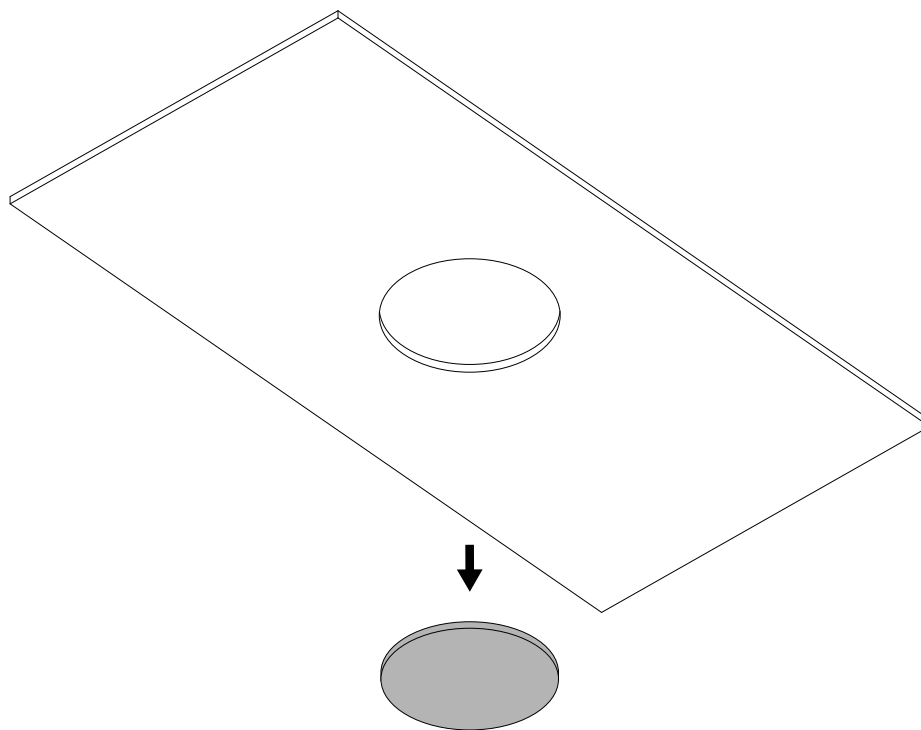


Figure 17



FC SERIES

ISOFLARE™ PREMIUM LOUDSPEAKERS



INSTALLATION GUIDE

BLIND MOUNT - DRYWALL INSTALLATION (CONTINUED)

Step 3 – Place C-ring into ceiling and place around loudspeaker hole

Place the C-Ring through hole by placing one side over the drywall, then spinning the remaining bracket through to the back side of the ceiling (Figure 18). Align the C-Ring to rest around the hole (Figure 19).

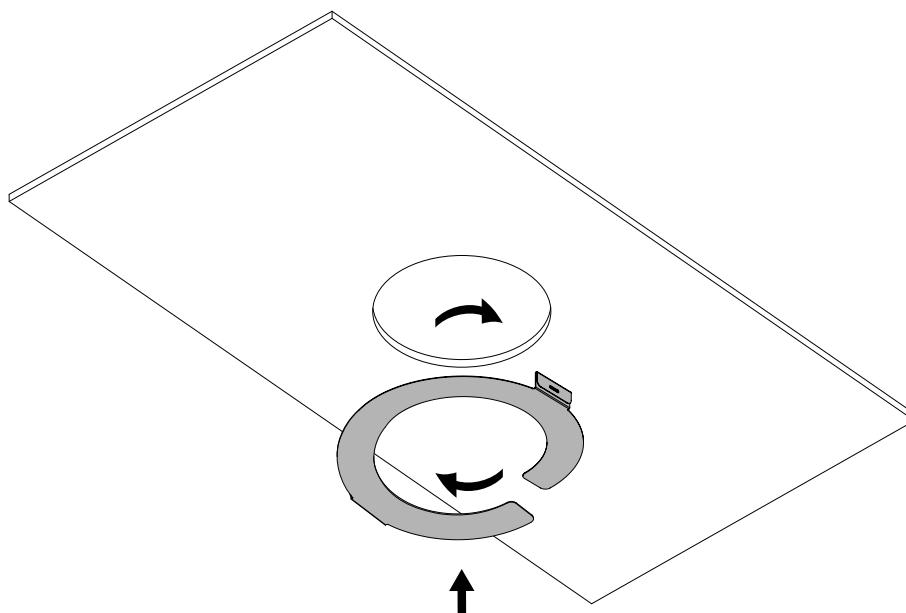


Figure 18

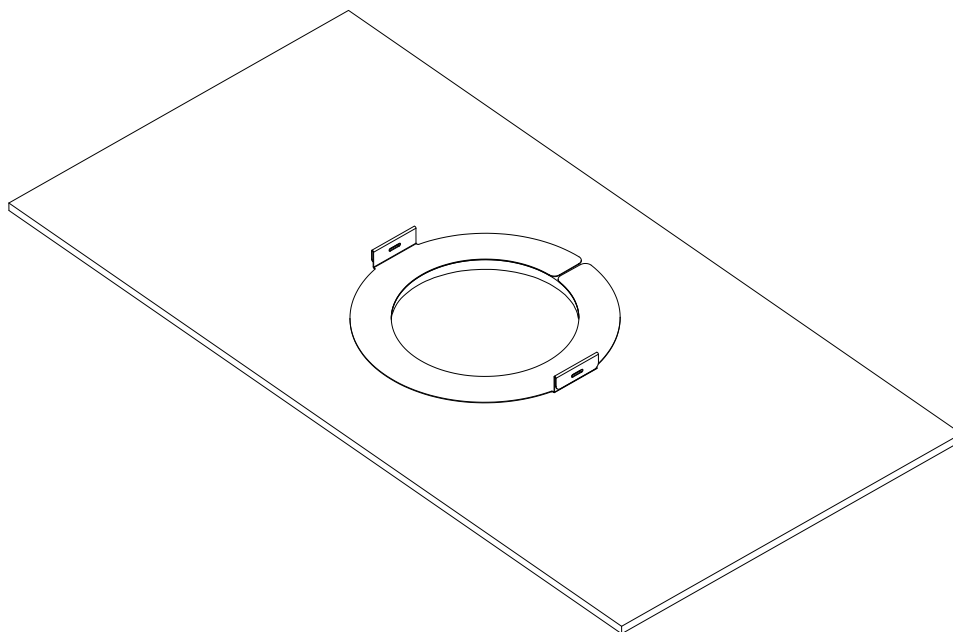


Figure 19



FC SERIES

ISOFLARE™ PREMIUM LOUDSPEAKERS



INSTALLATION GUIDE

BLIND MOUNT - DRYWALL INSTALLATION (CONTINUED)

Step 4 – Bring cables through loudspeaker hole

Bring both the loudspeaker cable and safety cable from behind the ceiling through the hole in the drywall (Figure 20).

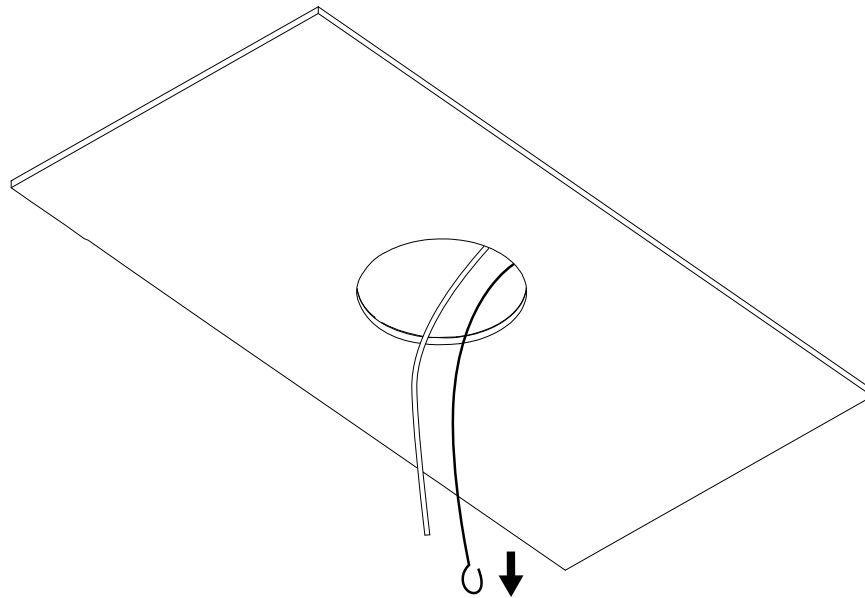


Figure 20

FC SERIES

ISOFLARE™ PREMIUM LOUDSPEAKERS



INSTALLATION GUIDE

BLIND MOUNT - DRYWALL INSTALLATION (CONTINUED)

Step 5 – Connect safety tether to loudspeaker

For safety and seismic considerations, suspension rings are integrated on the back can of the loudspeaker. AtlasIED strongly suggests that a support wire be installed from one of these points to a suitable anchor point above the ceiling (Figure 21).

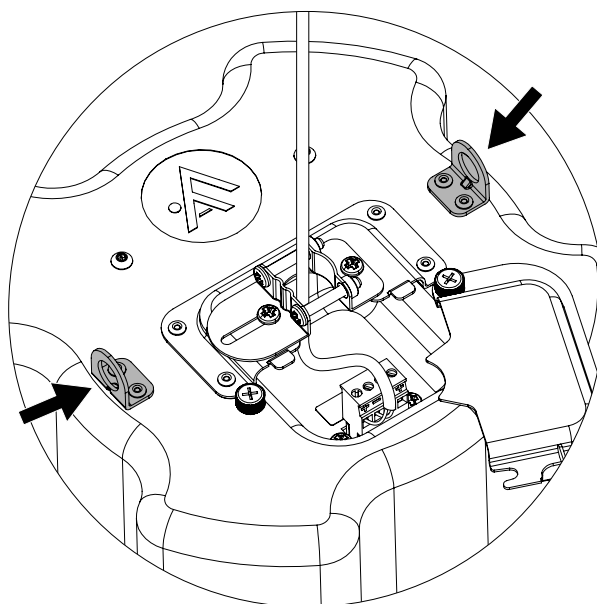


Figure 21



FC SERIES

ISOFLARE™ PREMIUM LOUDSPEAKERS



INSTALLATION GUIDE

BLIND MOUNT - DRYWALL INSTALLATION (CONTINUED)

Step 6 – Terminate & connect loudspeaker wire to loudspeaker

Swing open the connector cover on the back of the loudspeaker to expose the input connector. Run the loudspeaker cable from the top through the cable clamp and into the cavity. Pull extra cable through to work with.

On the loudspeaker wire, strip off approximately 3/16" (5mm) of insulation from each wire and insert the wire into the correct pin opening on the connector. Use a small flat head screwdriver to tighten the connector around the wire (Figure 22).

Connect the Input pins to the amplifier upstream. Connect the Output pins to any additional 70.7/100V loudspeakers downstream or to a second loudspeaker for 4Ω operation, if used in low impedance mode.

Connect the loudspeaker wire to the loudspeaker input connector (Figure 23). Tighten the cable clamp and close the connector door.

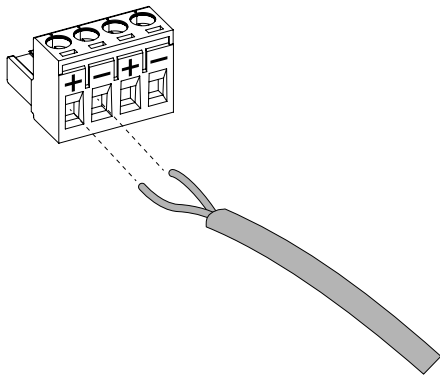


Figure 22

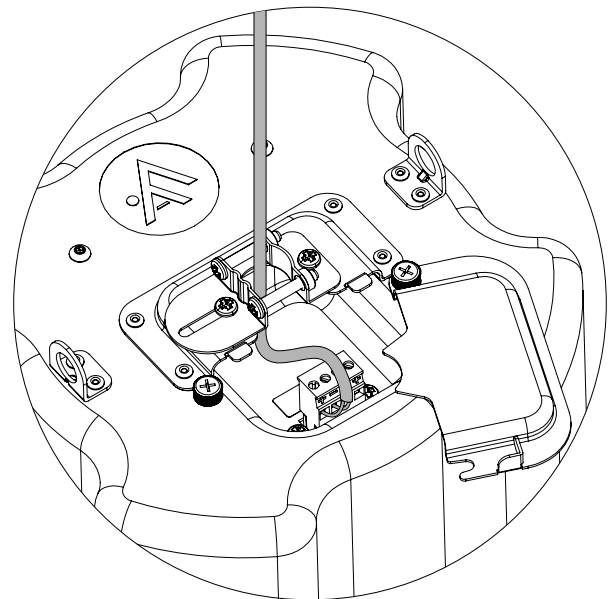
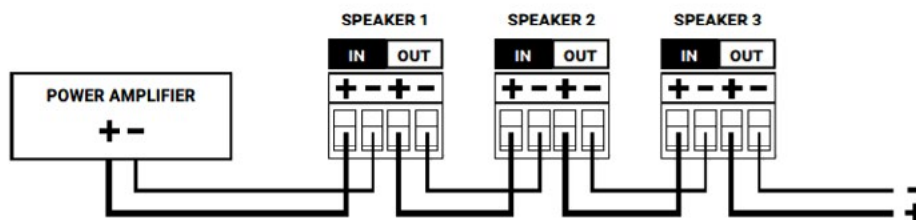


Figure 23



Wiring Diagram

FC SERIES

ISOFLARE™ PREMIUM LOUDSPEAKERS



INSTALLATION GUIDE

BLIND MOUNT - DRYWALL INSTALLATION (CONTINUED)

Step 7 – Insert loudspeaker through front of drywall and secure in place

Ensure that the mounting doglegs are in their default nested position and insert the loudspeaker through the hole in the ceiling (Figure 24).

Secure the loudspeaker in place by pulling the T-handles to tighten the doglegs:

- Disengage first T-handle from default installed position (Figure 25).
- Pull T-handle down firmly in a smooth continuous motion until the dogleg engages the C-ring and drywall (Figure 26). Pull handle tight to lock in place.
- Push the "T-handle" upwards and align with the locking tab on the handle, placing it back to its default starting position (Figure 27).
- Repeat steps A - C above for all remaining T-Handles.

Note 1: The FC 4" and 6" loudspeakers have a maximum clamping distance of 2.0". For installation surfaces thicker than 1.5" remove the reusable black rubber boot from each dogleg clamp prior to inserting the enclosure through the ceiling.

Note 2: The FC 8" loudspeakers have a maximum clamping distance of 1.7". For installation surfaces thicker than 1.17" remove the reusable black rubber boot from each dogleg clamp prior to inserting the enclosure through the ceiling.

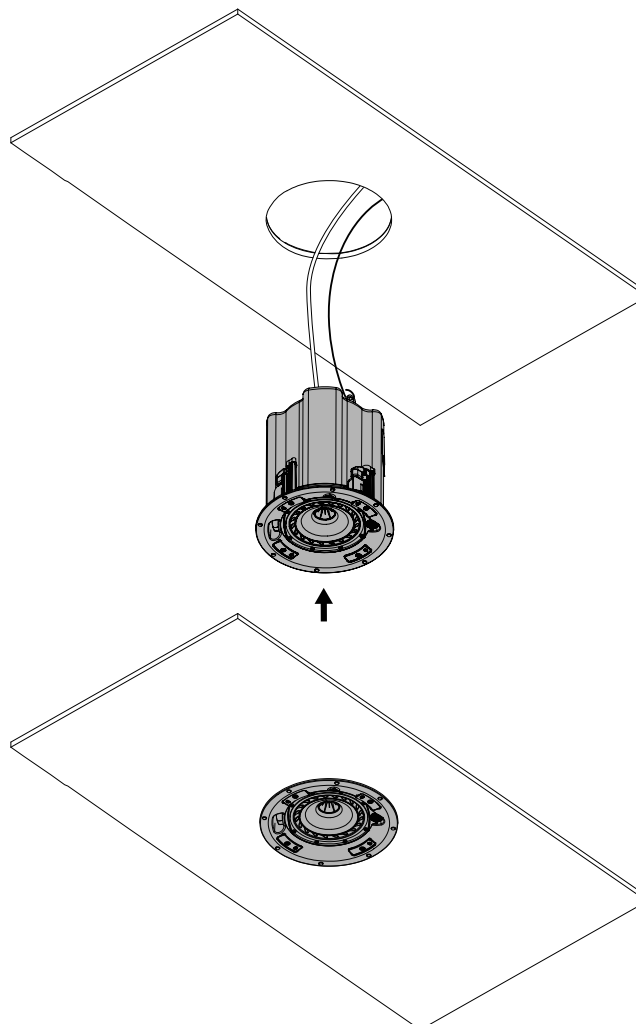


Figure 24

(Step 7 continues on next page)

FC SERIES

ISOFLARE™ PREMIUM LOUDSPEAKERS



INSTALLATION GUIDE

BLIND MOUNT - DRYWALL INSTALLATION (CONTINUED)

Step 7 - (continued)

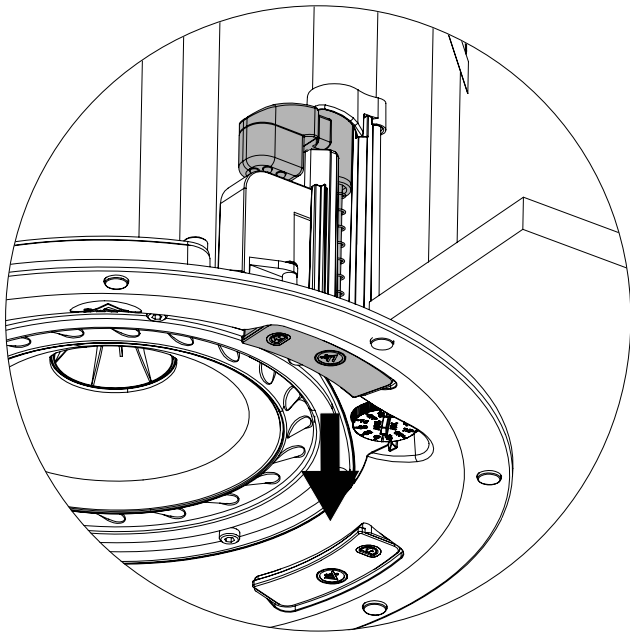


Figure 25

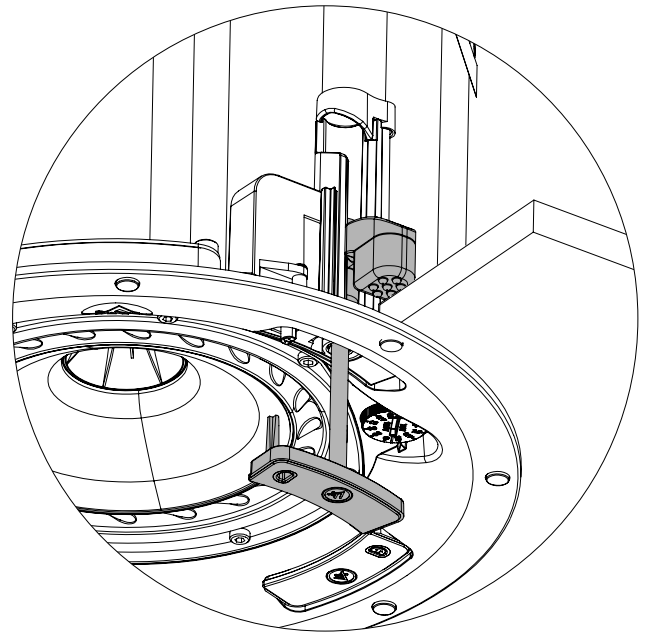


Figure 26

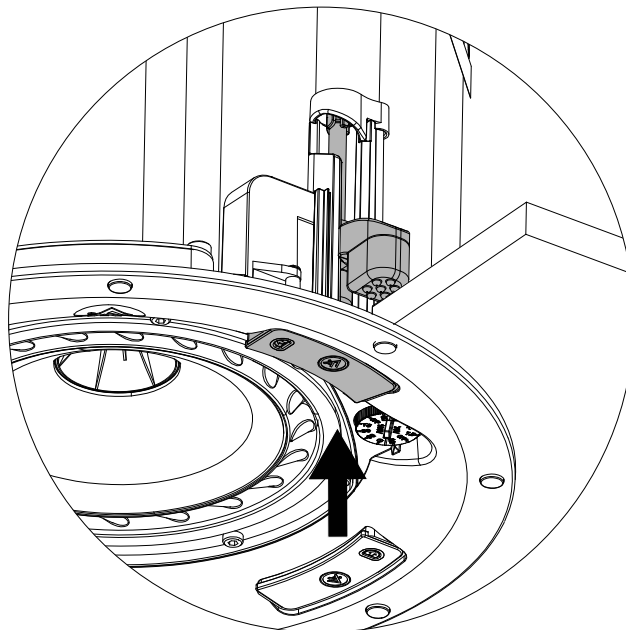


Figure 27

FC SERIES

ISOFLARE™ PREMIUM LOUDSPEAKERS



INSTALLATION GUIDE

BLIND MOUNT - DRYWALL INSTALLATION (CONTINUED)

Step 8 – Select transformer tap setting

Turn the circular transformer tap switch to align the desired wattage tap with the arrows (Figure 28). The wattage values are shown on the top of the switch, with 70.7V value on one side and 100V value on the other side. The 8Ω bypass position is in the middle and aligns with both arrows.

Note: All loudspeakers are shipped in their lowest 70.7/100V tap setting.

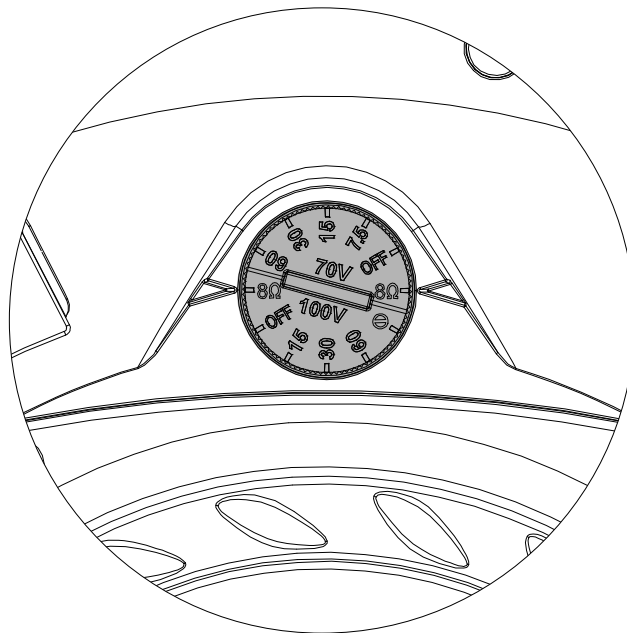


Figure 28



FC SERIES

ISOFLARE™ PREMIUM LOUDSPEAKERS



INSTALLATION GUIDE

BLIND MOUNT - DRYWALL INSTALLATION (CONTINUED)

Step 9 – Install magnetic grille

Place the grille over the loudspeaker baffle until magnetically engaged (Figure 29).

Each FC series loudspeaker includes a round white magnetic grille. Optional square and black magnetic grilles are available. Visit AtlasIED.com for details.

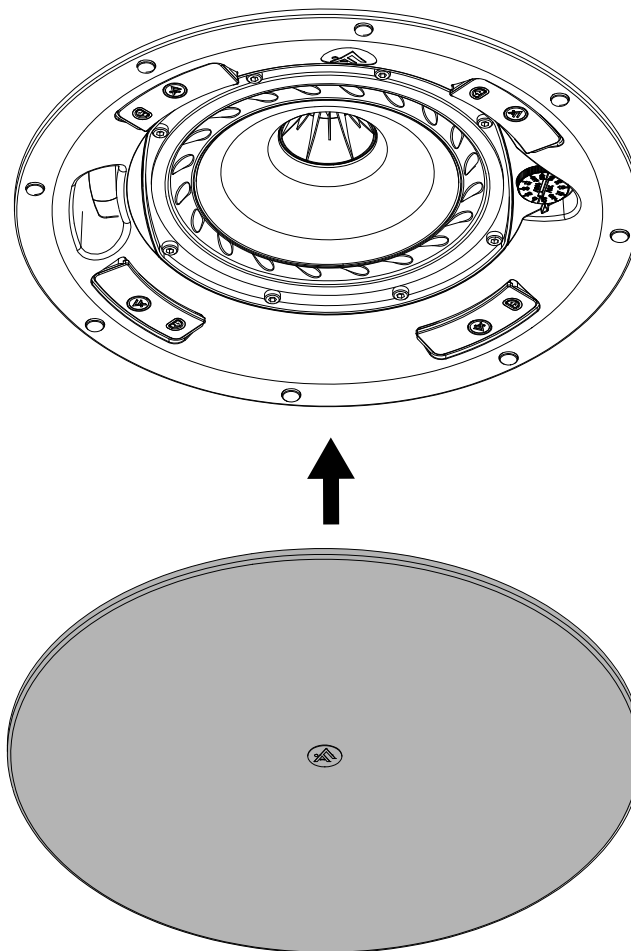


Figure 29

Part Numbers	4 inch	6 inch	8 inch
Round White (Included)	1-17418	1-17227	1-17430
Round Black	1-19699	1-19700	1-19701
Square White	1-17555	1-17556	1-17557
Square Black	1-19696	1-19697	1-19698

FC SERIES

ISOFLARE™ PREMIUM LOUDSPEAKERS



INSTALLATION GUIDE

PRE-INSTALL - INSTALLATION

SUMMARY OF STEPS – Pre-Install Installation

- **Step 1** – Connect safety tether to back can
- **Step 2** – Connect conduit or prepare other wiring method to back can
- **Step 3** – Terminate & connect loudspeaker wire to loudspeaker
- **Step 4** – Affix loudspeaker back can to desired location
- **Step 5** – Mark cutout circle and cut hole
- **Step 6** – Wire driver assembly to back can
- **Step 7** – Install driver assembly into back can
- **Step 8** – Select transformer tap setting
- **Step 9** – Install magnetic grille

TOOLS REQUIRED – Pre-Install Installation

Included Part (Blind Mount models only)	Qty per loudspeaker
Pre-install back can (FC-6TPIC, FC-8TPIC)	1
Driver assembly (FC-6DVR, FC-8DRV)	1
Cutout template	1
Euroblock Connector	1
Grille (Round White)	1
Plaster (mud) ring bracket (optional)	1

- Required Tools**
- Drywall or ceiling tile saw
 - Phillips screwdriver
 - Small flathead screwdriver
 - Wire strippers

Step 1 – Connect safety tether to back can

For safety and seismic considerations, suspension rings are integrated on the back can. AtlasIED strongly suggests that a support wire be installed from one of these points to a suitable anchor point above the ceiling (Figure 30).

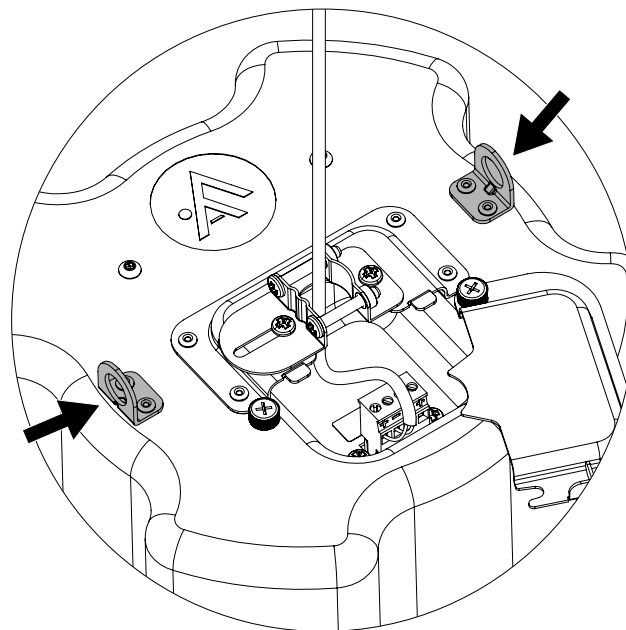


Figure 30

FC SERIES

ISOFLARE™ PREMIUM LOUDSPEAKERS



INSTALLATION GUIDE

PRE-INSTALL - INSTALLATION (CONTINUED)

Step 2 – Connect conduit or prepare other wiring method to back can

Option 1: Through the connector cover (Figure 31)

Option 2: Through the top conduit connection (Figure 32)

Option 3: Through a side conduit connection (Figure 33)

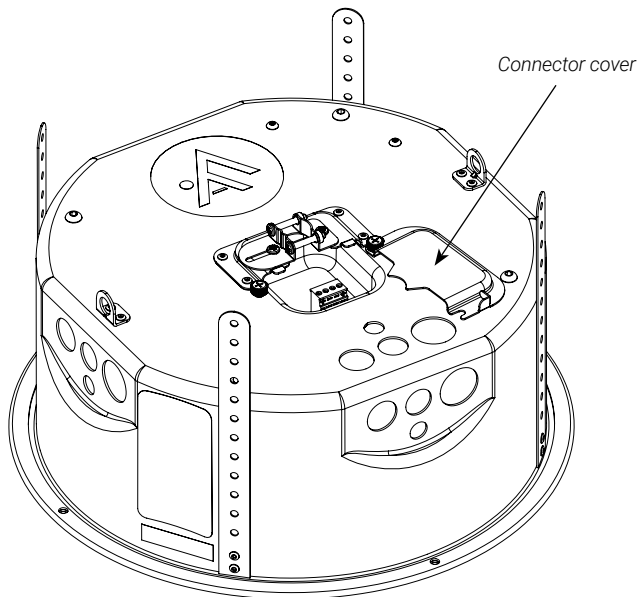


Figure 31

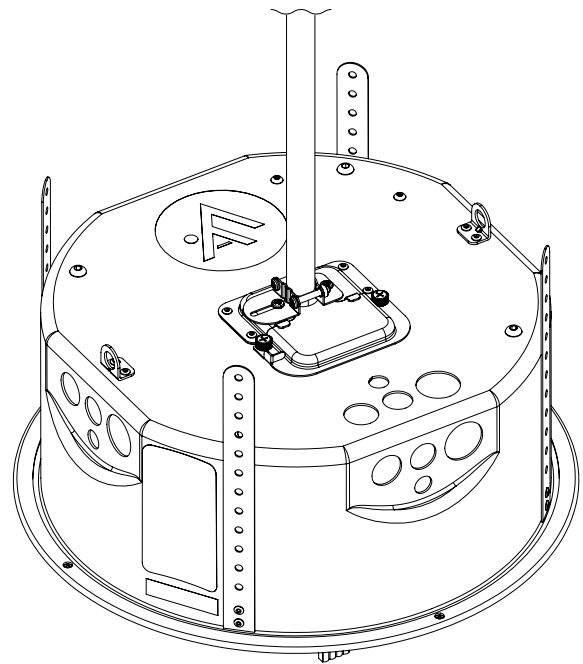


Figure 32

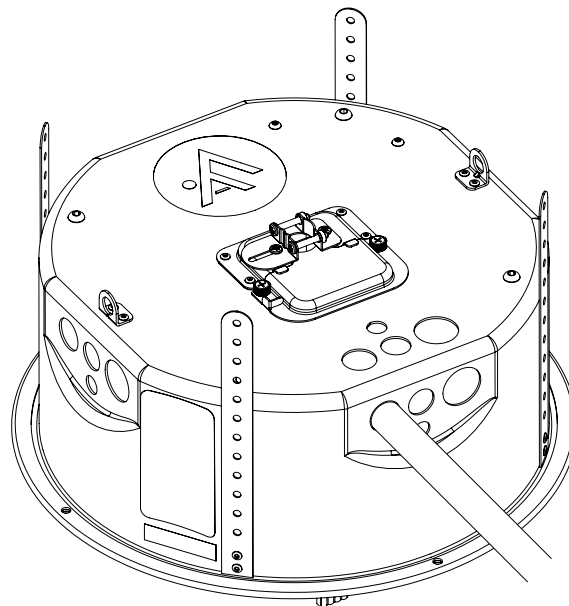


Figure 33

FC SERIES

ISOFLARE™ PREMIUM LOUDSPEAKERS



INSTALLATION GUIDE

PRE-INSTALL - INSTALLATION (CONTINUED)

Step 3 – Terminate & connect loudspeaker wire to loudspeaker

Swing open the connector cover on the back of the loudspeaker to expose the input connector. Run the loudspeaker cable from the top through the cable clamp and into the cavity, or through the conduit into the cavity. Pull extra wire through to work with.

On the loudspeaker wire, strip off approximately 3/16" (5mm) of insulation from each wire and insert the wire into the correct pin opening on the connector. Use a small flat head screwdriver to tighten the connector around the wire (Figure 34).

Connect the Input pins to the amplifier upstream. Connect the Output pins to any additional 70.7/100V loudspeakers downstream or to a second loudspeaker for 4Ω operation, if used in low impedance mode.

Connect the loudspeaker wire to the loudspeaker input connector (Figure 35). Tighten the cable clamp and close the connector door.

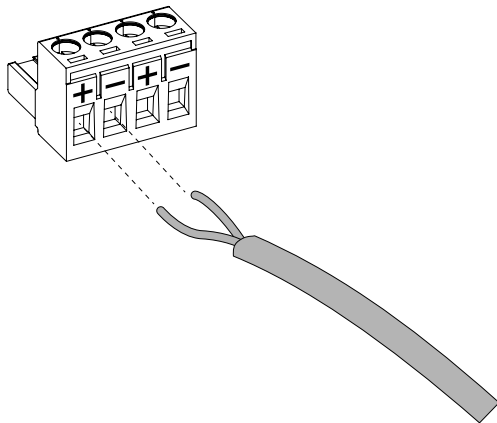


Figure 34

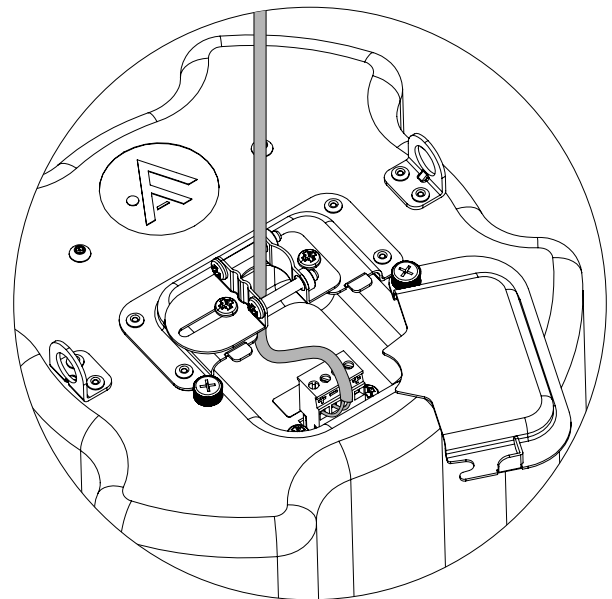
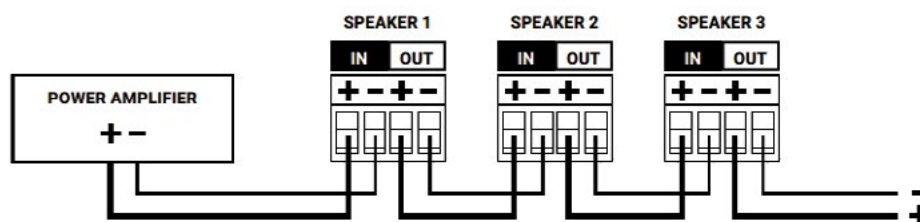


Figure 35



Wiring Diagram

FC SERIES

ISOFLARE™ PREMIUM LOUDSPEAKERS



INSTALLATION GUIDE

PRE-INSTALL - INSTALLATION (CONTINUED)

Step 4 – Affix loudspeaker back can to desired location

In an open ceiling layout, determine the final location of the loudspeaker and securely fix the back can to the ceiling material/structure.

There are three options to attach the back can to the ceiling material/structure:

Option 1: Using the four holes provided on the back can, fasten using four screws (not included), (Figure 36):

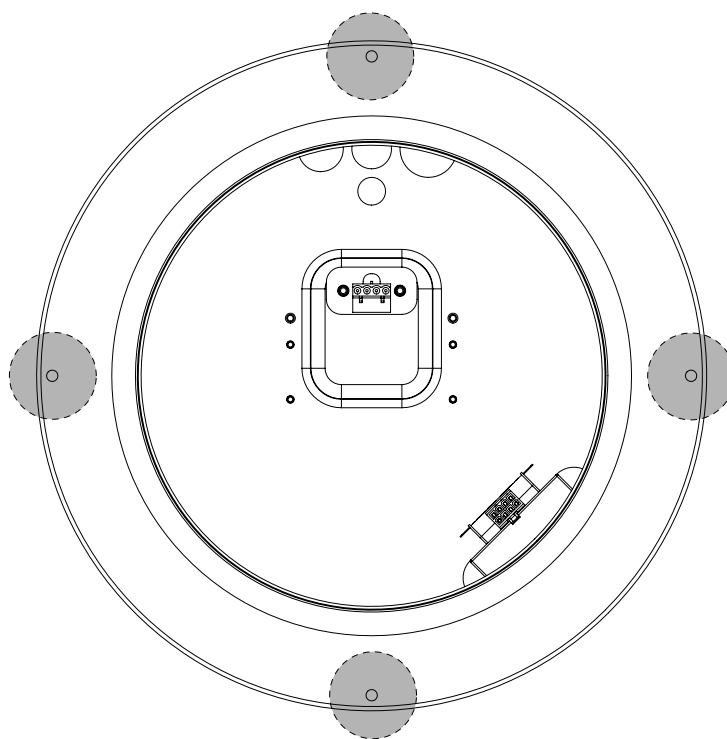


Figure 36

(Step 4 continues on next page)

FC SERIES

ISOFLARE™ PREMIUM LOUDSPEAKERS



INSTALLATION GUIDE

PRE-INSTALL - INSTALLATION (CONTINUED)

Step 4 – (continued)

Option 2: Using the adjustable, flexible straps on the back can, fasten to a secure point (ex., joists) using screws or nails (not included), (Figure 37).

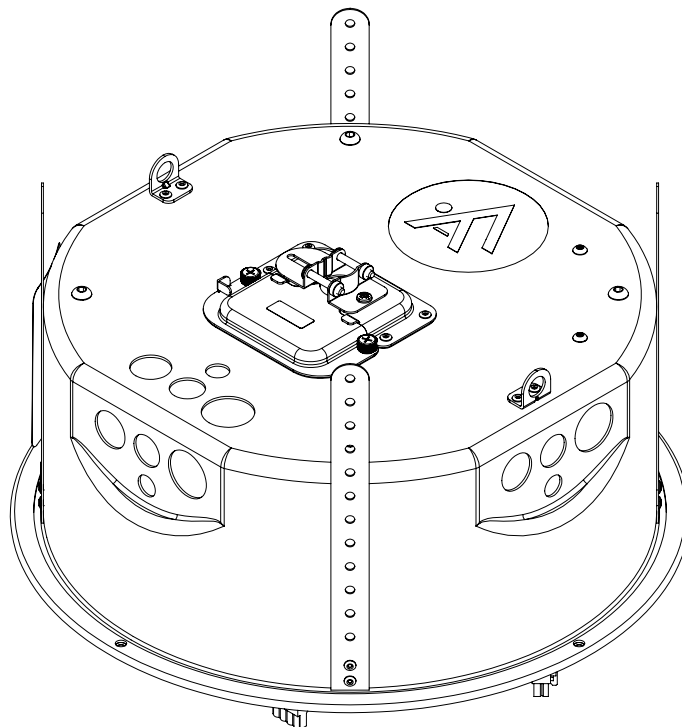


Figure 37



(Step 4 continues on next page)

FC SERIES

ISOFLARE™ PREMIUM LOUDSPEAKERS



INSTALLATION GUIDE

PRE-INSTALL - INSTALLATION (CONTINUED)

Step 4 – (continued)

Option 3: An optional plaster (mud) ring bracket is available. This bracket is designed to be pre-installed into newly constructed, non-suspended ceilings

Secure the optional plaster ring mounting ears to the structure (ex., joists or ceiling studs) using screws or nails (not included), (Figure 38). Place the back can on the optional plaster ring so that the lip of the back can protrude through the hole in the optional pre-mount ring.

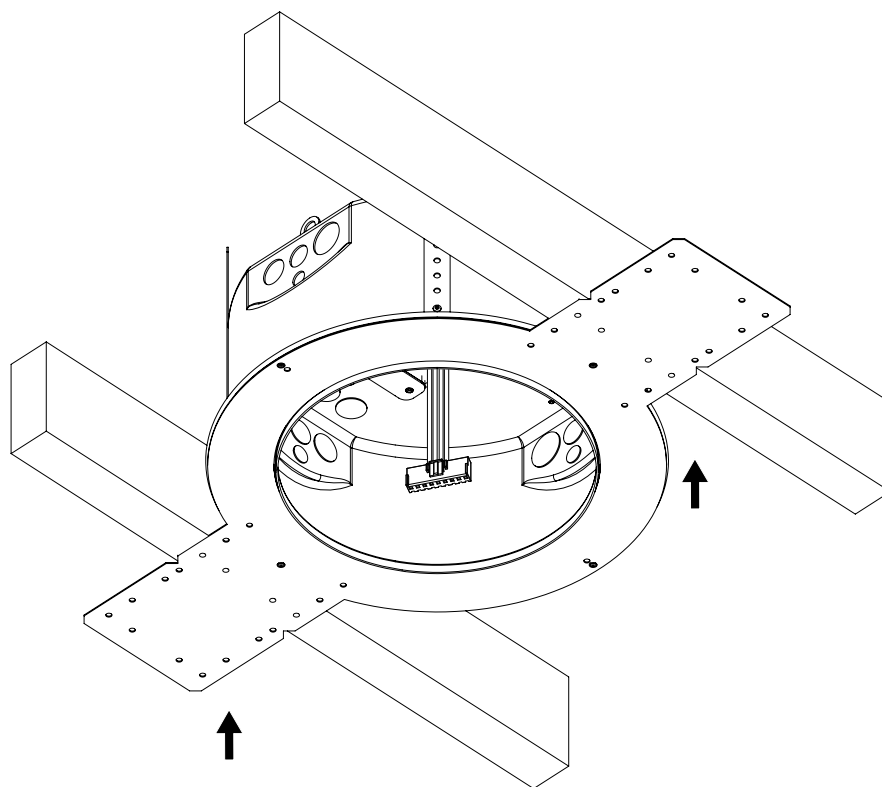


Figure 38



FC SERIES

ISOFLARE™ PREMIUM LOUDSPEAKERS



INSTALLATION GUIDE

PRE-INSTALL - INSTALLATION (CONTINUED)

Step 5 – Mark cutout circle and cut hole

Align the ceiling material with the back can location and use the included cut-out template to align the ceiling material with the back can (Figure 39), then mark the location of the loudspeaker (Figure 40).

Using a proper tool for the ceiling material, cut the loudspeaker hole into the ceiling (Figure 41).

Model	Cutout Diameter
FC-6TPI	Ø 7.56" (192mm)
FC-8TPI	Ø 9.76" (248mm)

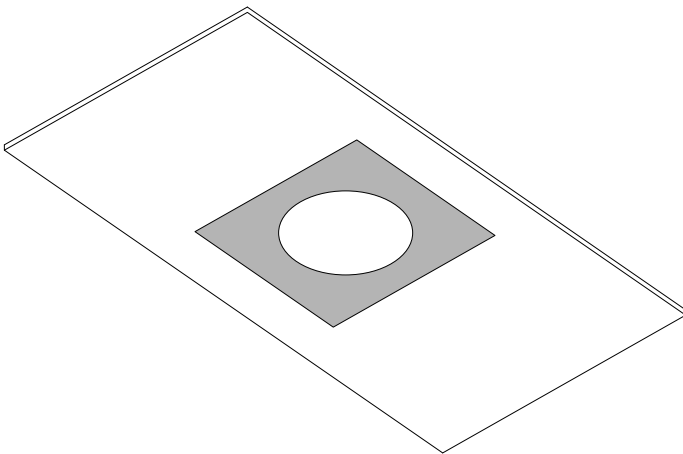


Figure 39

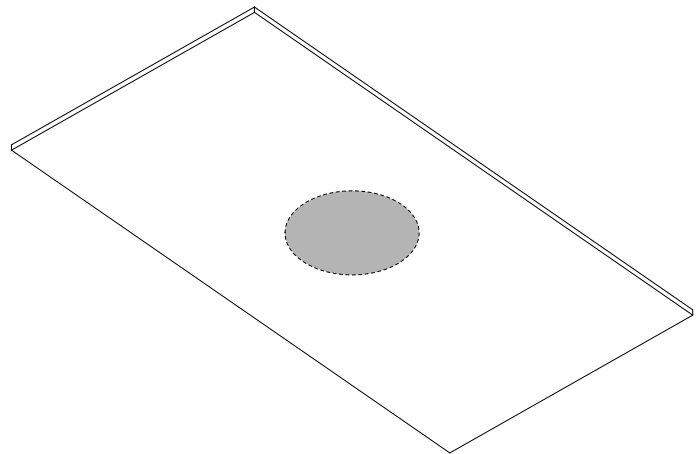


Figure 40

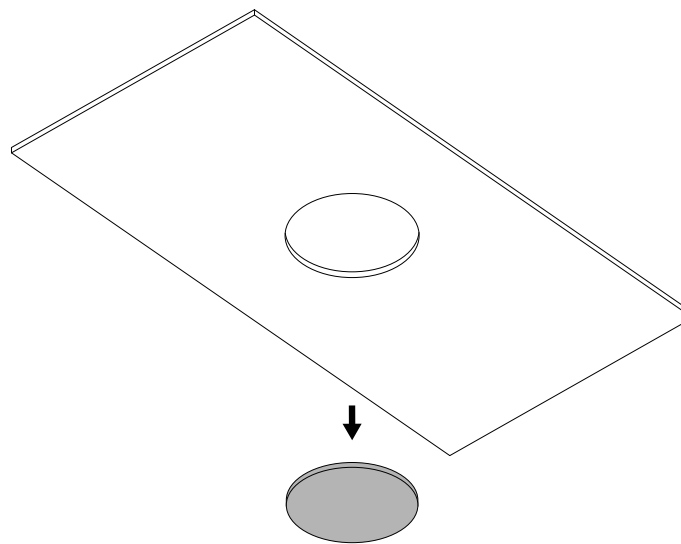


Figure 41

FC SERIES

ISOFLARE™ PREMIUM LOUDSPEAKERS



INSTALLATION GUIDE

PRE-INSTALL - INSTALLATION (CONTINUED)

Step 6 – Wire driver assembly to back can

Bring the separate driver assembly close to the back can to prepare for wiring (Figure 42).

There is one cable to attach between the installed back can and the driver assembly for power input and transformer connection. Connect the wire from the back can to the associated connector on the driver assembly (Figure 43).

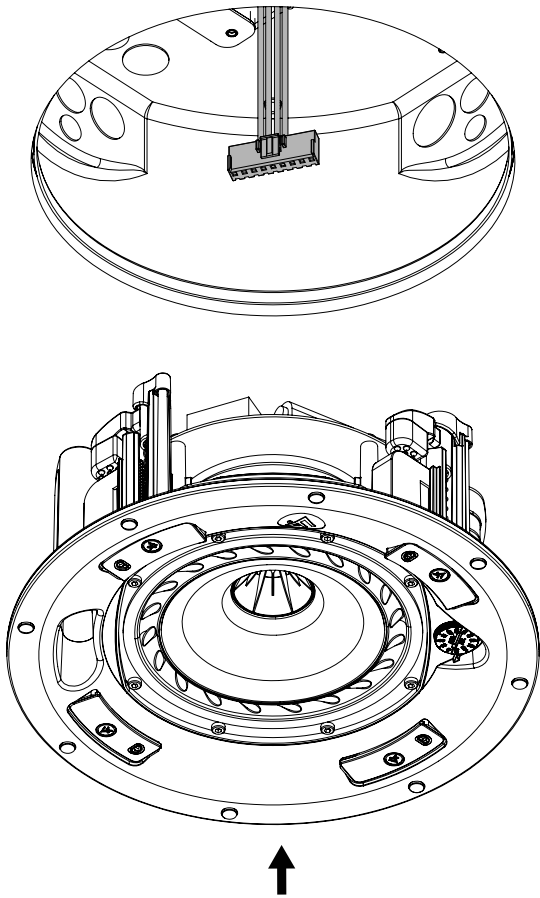


Figure 42

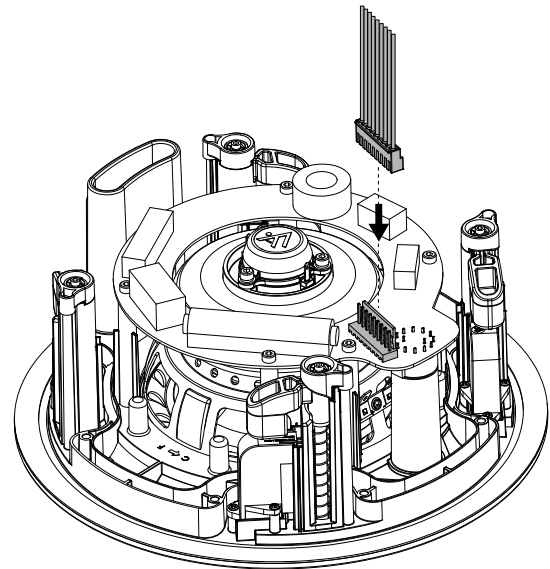


Figure 43

FC SERIES

ISOFLARE™ PREMIUM LOUDSPEAKERS



INSTALLATION GUIDE

PRE-INSTALL - INSTALLATION (CONTINUED)

Step 7 – Install driver assembly into the back can

Align the Atlas + Fyne logo on the baffle to the transformer in the back can. This will ensure there is no interference (Figure 44).

Ensure that the mounting doglegs are in their default nested position and insert the loudspeaker through the hole in the ceiling and into the back can (Figure 45).

Secure the loudspeaker in place by pulling the T-handles to tighten the doglegs:

- Disengage first T-handle from default installed position (Figure 46).
- Pull T-handle down firmly in a smooth continuous motion until the dogleg engages the C-ring and ceiling (Figure 47). Pull handle tight to lock in place.
- Push the "T-handle" upwards and align with the locking tab on the handle, placing it back to its default starting position (Figure 48).
- Repeat steps A - C above for all remaining T-Handles.

Note 1: The FC 6" model has a maximum clamping distance of 2.0". For installation surfaces thicker than 1.5" remove the reusable black rubber boot from each dogleg clamp prior to inserting the enclosure through the front of the tile/drywall.

Note 2: The FC 8" model has a maximum clamping distance of 1.7". For installation surfaces thicker than 1.17" remove the reusable black rubber boot from each dogleg clamp prior to inserting the enclosure through the front of the tile/drywall.

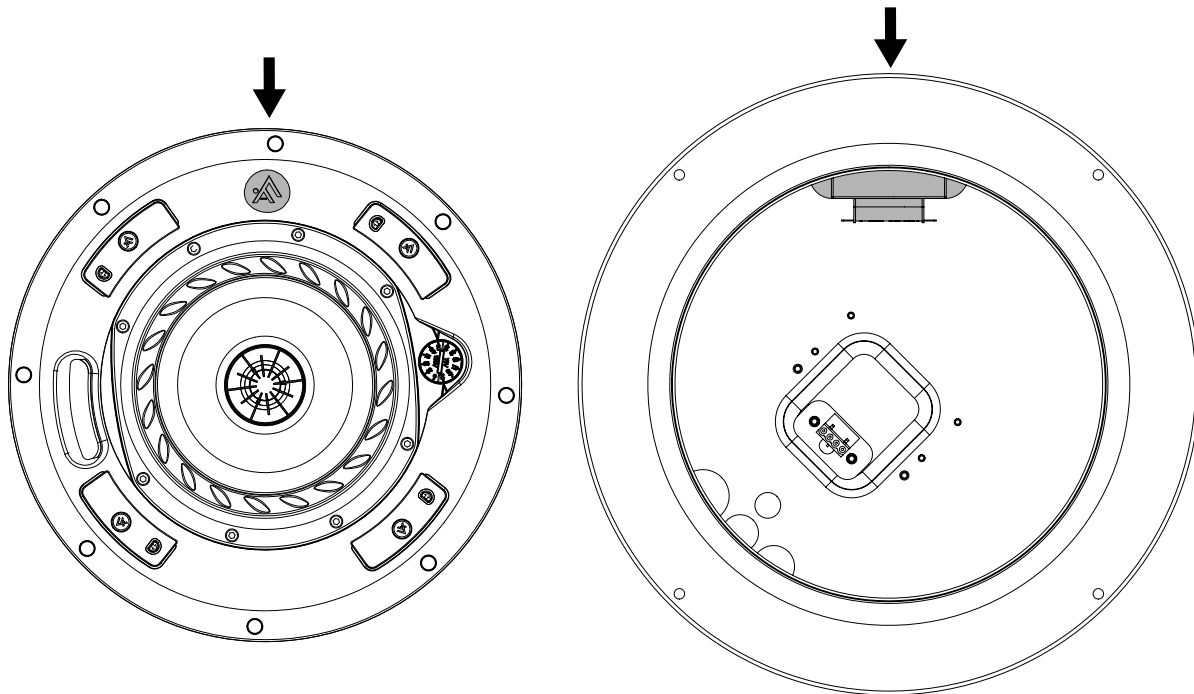


Figure 44

(Step 7 continues on next page)

FC SERIES

ISOFLARE™ PREMIUM LOUDSPEAKERS



INSTALLATION GUIDE

PRE-INSTALL - INSTALLATION (CONTINUED)

Step 7 – (continued)

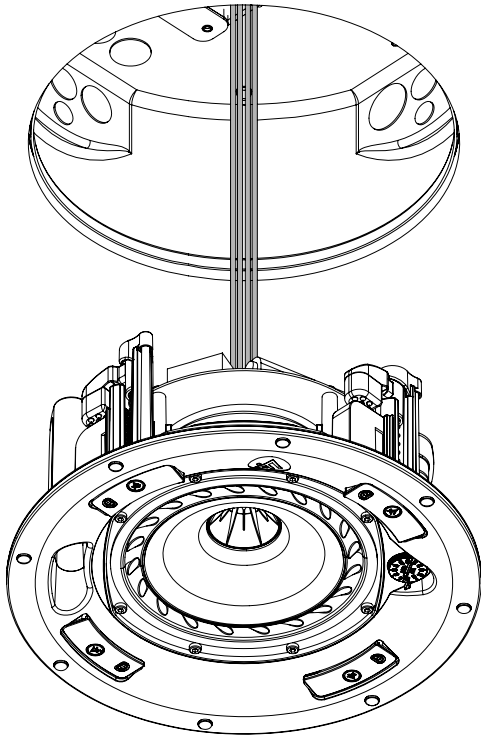


Figure 45

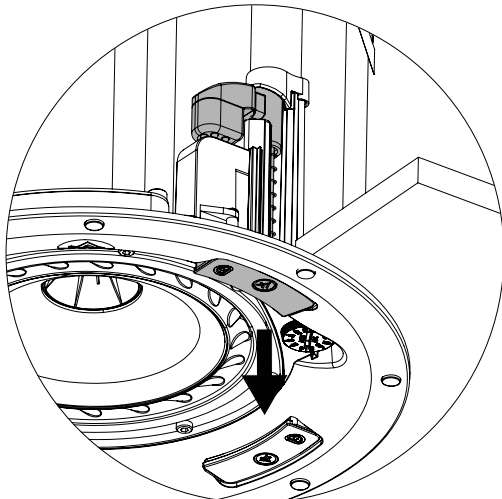


Figure 46

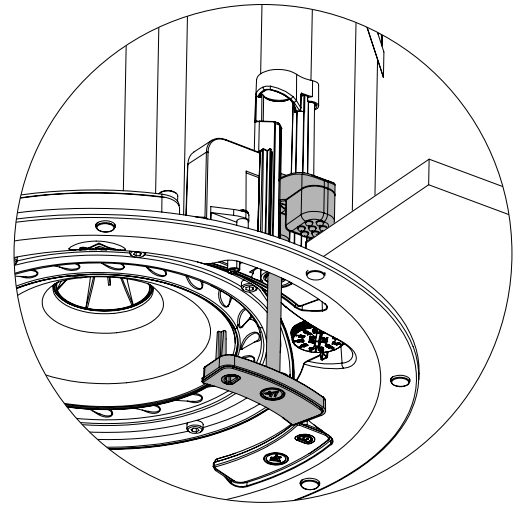


Figure 47

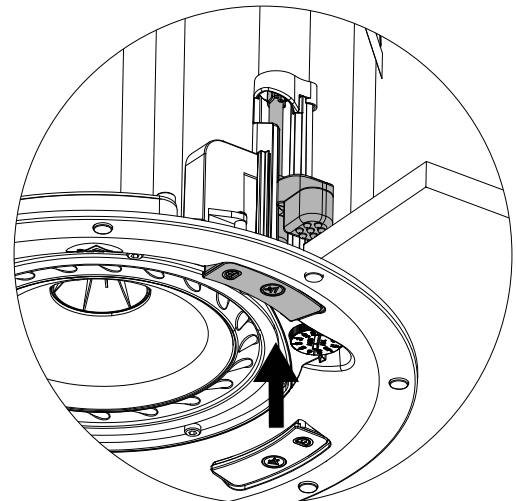


Figure 48



FC SERIES

ISOFLARE™ PREMIUM LOUDSPEAKERS



INSTALLATION GUIDE

PRE-INSTALL - INSTALLATION (CONTINUED)

Step 8 – Select transformer tap setting

Turn the circular transformer tap switch to align the desired wattage tap with the arrows (Figure 49). The wattage values are shown on the top of the switch, with 70.7V values on one side and 100V values on the other side. The 8Ω bypass position is in the middle and aligns with both arrows.

Note: All loudspeakers are shipped in their lowest 70.7/100V tap setting.

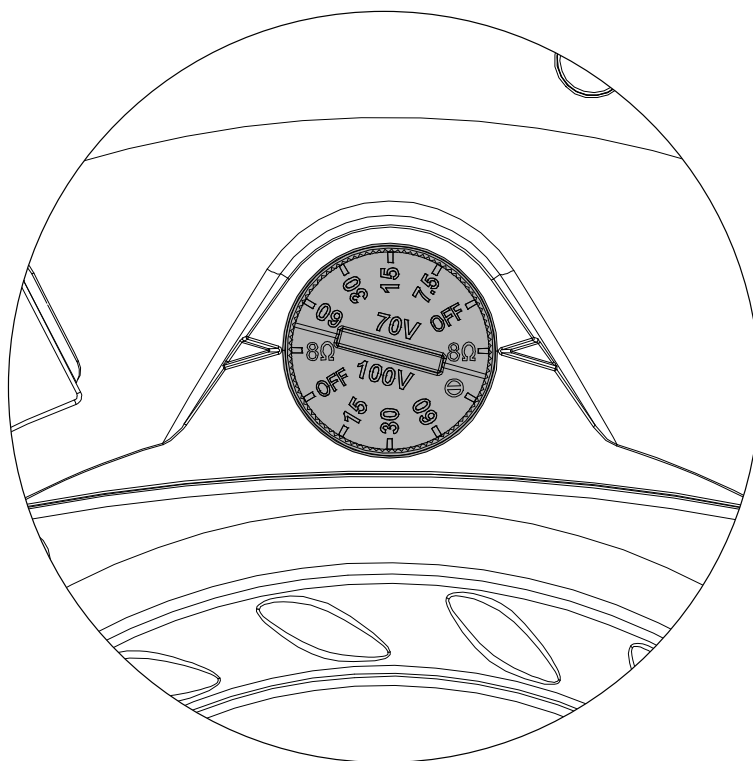


Figure 49



FC SERIES

ISOFLARE™ PREMIUM LOUDSPEAKERS



INSTALLATION GUIDE

PRE-INSTALL - INSTALLATION (CONTINUED)

Step 9 – Install magnetic grille

Place the grille over the loudspeaker baffle until magnetically engaged (Figure 50).

Each FC series loudspeaker includes a round white magnetic grille. Optional square and black magnetic grilles are available. Visit AtlasIED.com for details.

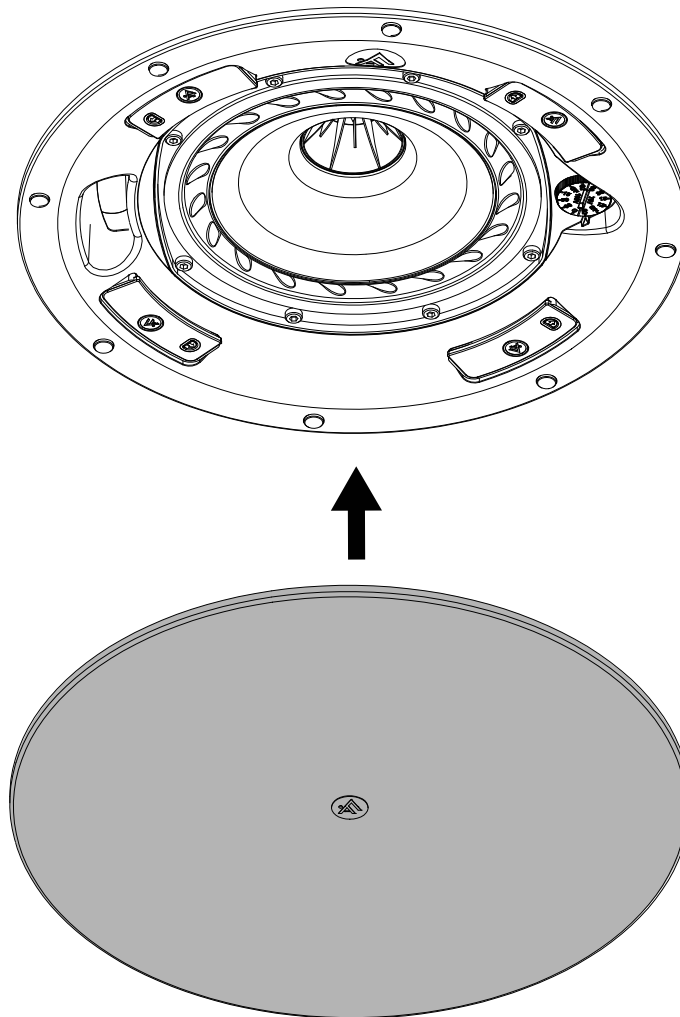


Figure 50

Part Numbers	4 inch	6 inch	8 inch
Round White (Included)	1-17418	1-17227	1-17430
Round Black	1-19699	1-19700	1-19701
Square White	1-17555	1-17556	1-17557
Square Black	1-19696	1-19697	1-19698

FC SERIES

ISOFLARE™ PREMIUM LOUDSPEAKERS



INSTALLATION GUIDE

LOUDSPEAKER REMOVAL

Step 1 – Disengage T-handle

While supporting the weight of the loudspeaker, pull down the T-handle and turn to reveal the clamp release button, adjacent to the locking slot (Figure 51).

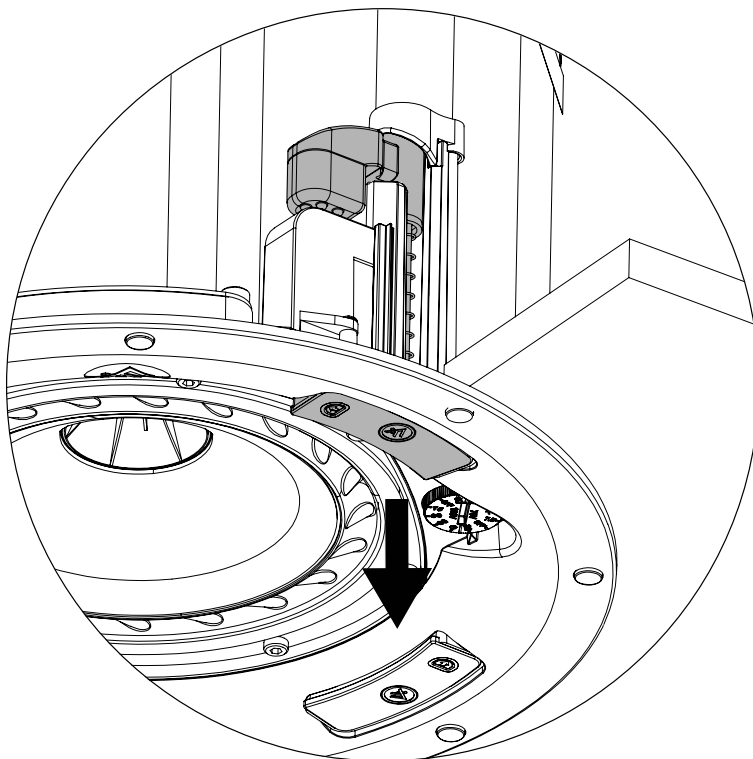


Figure 51

FC SERIES

ISOFLARE™ PREMIUM LOUDSPEAKERS



INSTALLATION GUIDE

LOUDSPEAKER REMOVAL (CONTINUED)

Step 2 – Slide clamp release button

- a. Before removal, insure the clamp is completely engaged with the mating surface by pulling the handle to tighten the clamp.
- b. Slide the clamp release button until you hear and feel the dogleg release (Figure 52).
- c. If the dogleg does not release, perform one of two options:
 1. Re-engage the dogleg to the mating surface by pulling down the handle to re-lock the dogleg into position. Slide the clamp release button to disengage the clamp.
 2. Using a small flat-head screwdriver, insert the blade along the flat side of the release button and slide the release button to disengage the clamp.

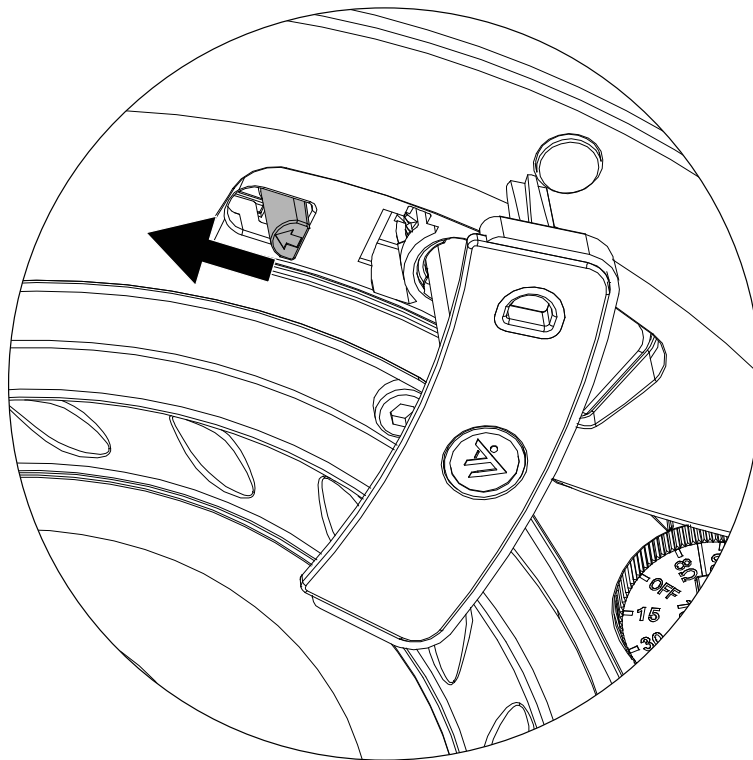


Figure 52

Step 3 – Repeat for remaining and remove loudspeaker

Repeat steps 1 and 2 for the remaining doglegs.

FC SERIES

ISOFLARE™ PREMIUM LOUDSPEAKERS



INSTALLATION GUIDE

PAINTING INSTRUCTIONS

SUMMARY OF STEPS – Blind Mount Drywall Installation

- **Step 1** – Remove grille cloth
- **Step 2** – Remove logo
- **Step 3** – Clean the grille
- **Step 4** – Prepare the painting area
- **Step 5** – Paint the grille
- **Step 6** – Replace grille cloth
- **Step 7** – Install magnetic grille

TOOLS REQUIRED – Painting Instructions

- Drop cloth / newspaper to protect from overspray
- Damp rag
- Painting tape
- Medium-grit sandpaper (300-400 grit)
- Desired paint color

Step 1 – Remove grille cloth

Carefully take the grille cloth (also called the “scrim”) off the grille and set it aside. Start by peeling from one side slowly to avoid damaging the cloth (Figure 53).

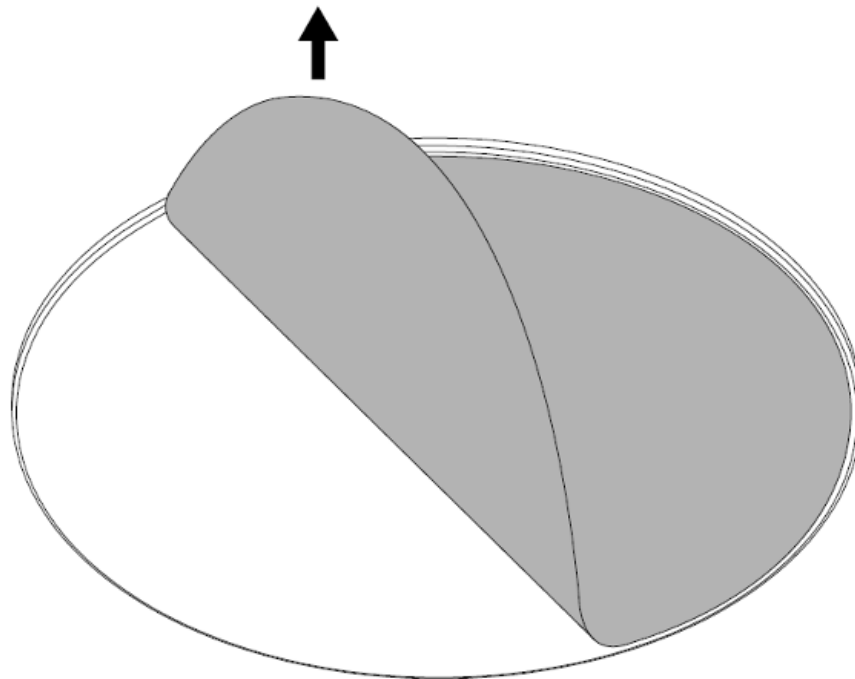


Figure 53

FC SERIES

ISOFLARE™ PREMIUM LOUDSPEAKERS



INSTALLATION GUIDE

PAINTING INSTRUCTIONS (CONTINUED)

Step 2 – Remove logo

Carefully remove the logo badge from the grille face by peeling the badge from one end (Figure 54). If you plan to replace this logo after painting, take extra care not to bend the logo badge.

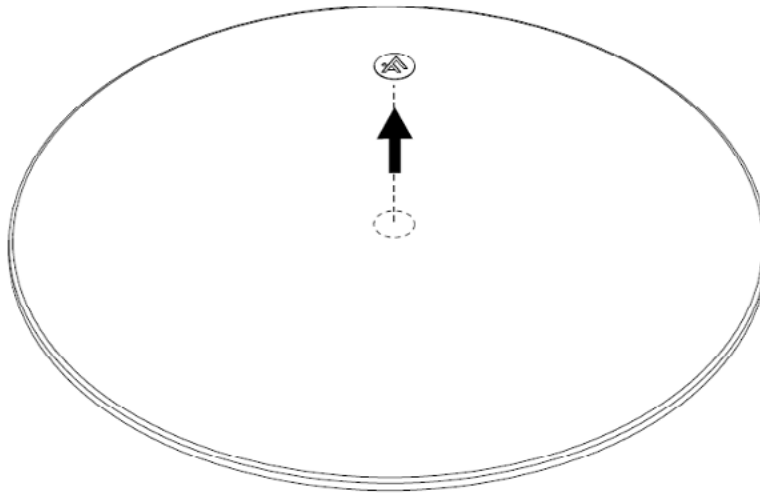


Figure 54



Step 3 – Clean the grille

Clean the grille with a damp cloth to remove any dirt, oils, or fingerprints so that the paint will adhere to the grille surface. Use mineral spirits for particularly hard-to-remove imperfections.

Step 4 – Prepare the painting area

Suspend the grille from a wire (recommended) or place the grille on clean painting surface such as a table. Ensure you have easy access to paint the grille from multiple angles. This will allow for even coats of paint and ensure that all intended surfaces are painted.

FC SERIES

ISOFLARE™ PREMIUM LOUDSPEAKERS



INSTALLATION GUIDE

PAINTING INSTRUCTIONS (CONTINUED)

Step 5 – Paint the grille

We recommend using a spray method, rather than using brushes or rollers. Only paint the front of the grille and apply primer if desired. Apply several light coats of paint from multiple angles rather than one heavy coat (Figure 55). Doing so prevents the holes in the grille from becoming clogged. Allow some time between coats. Check your paint manufacturer recommendation, usually printed on the paint container.

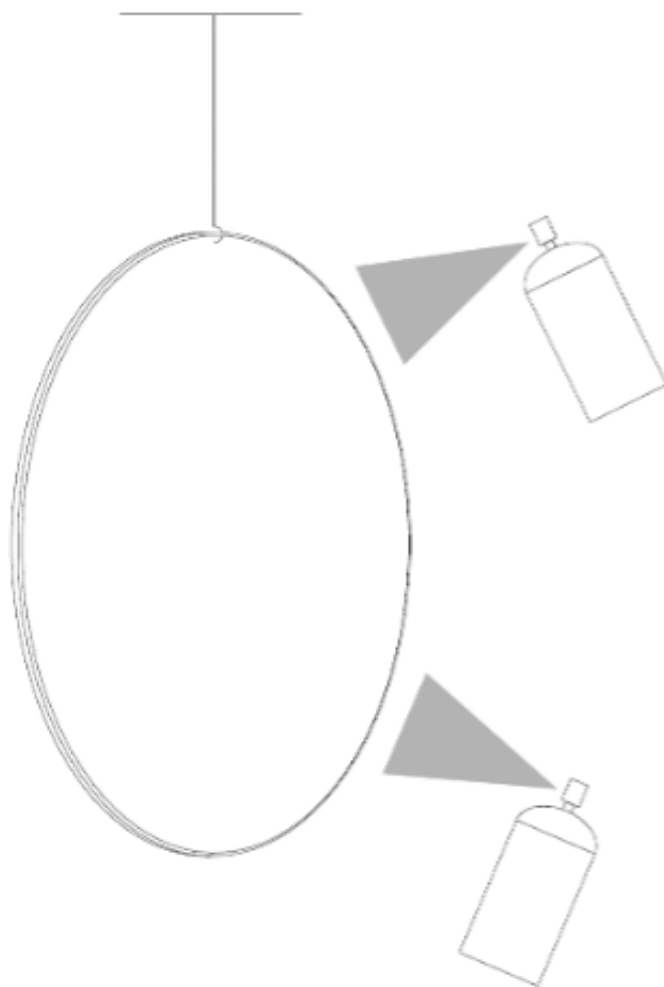


Figure 55



FC SERIES

ISOFLARE™ PREMIUM LOUDSPEAKERS



INSTALLATION GUIDE

PAINTING INSTRUCTIONS (CONTINUED)

Step 6 – Replace grille cloth

Place the grille cloth back into the loudspeaker grille (Figure 56). It may be necessary to apply adhesive spray to the grille before applying the grill cloth.

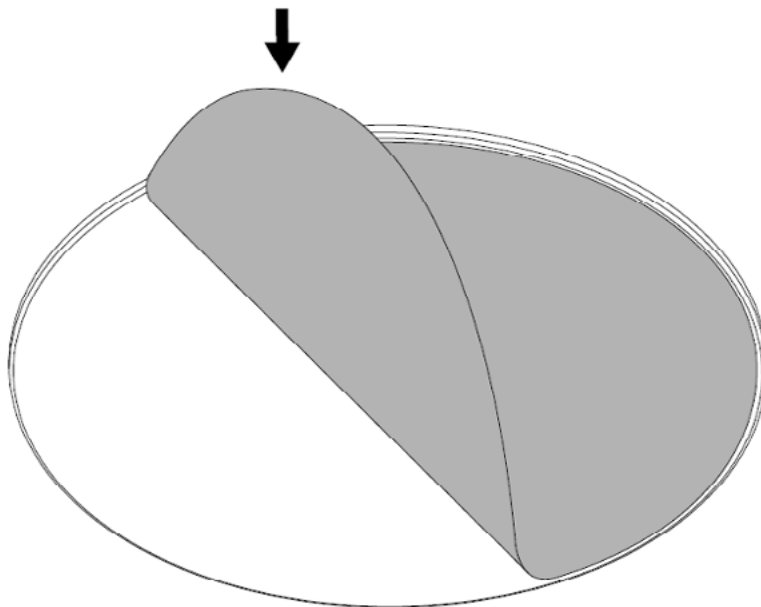


Figure 56

FC SERIES

ISOFLARE™ PREMIUM LOUDSPEAKERS



INSTALLATION GUIDE

PAINTING INSTRUCTIONS (CONTINUED)

Step 7 – Install magnetic grille

Place the grille over the loudspeaker baffle until magnetically engaged (Figure 57). Replace logo badge if desired.

Each FC series loudspeaker includes a round white magnetic grille. Optional square and black magnetic grilles are available. Visit AtlasIED.com for details.

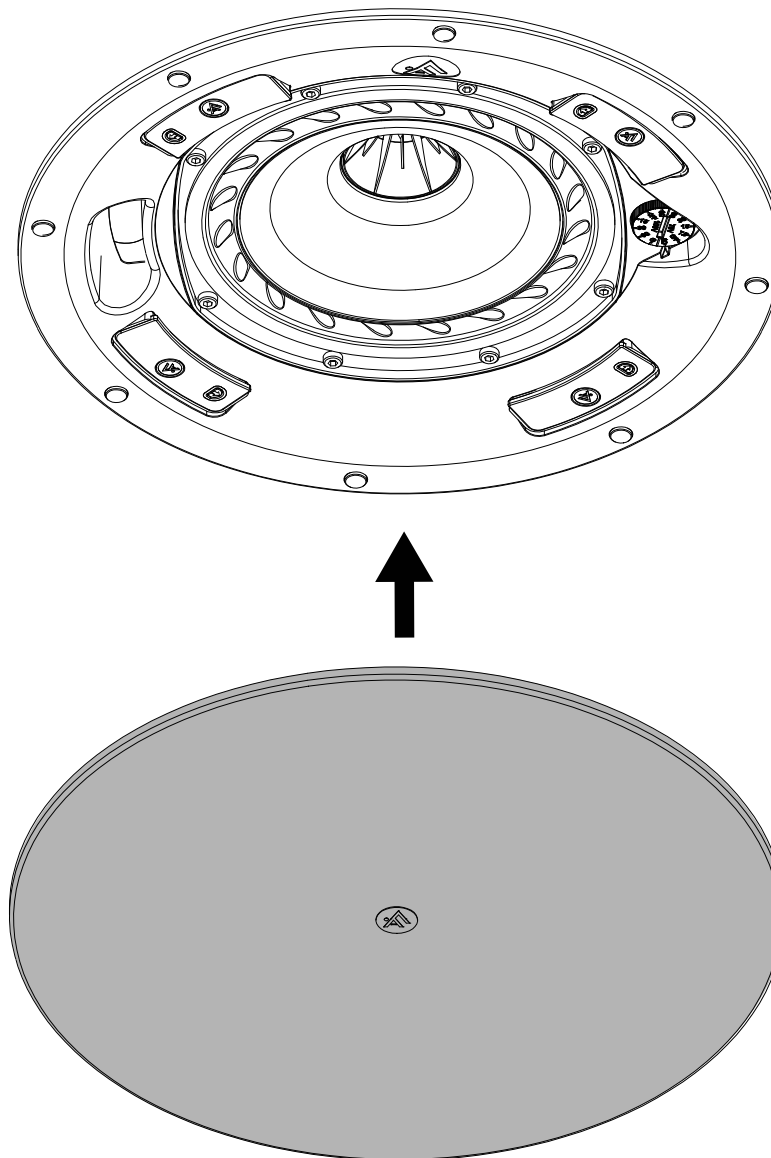


Figure 57

©2024 Atlas + Fyne, Atlas Sound LP, The Atlas "Circle A", Soundolier, and Atlas Sound are trademarks of Atlas Sound L.P. IED is a Registered Trademark of Innovative Electronic Designs LLC. All rights reserved. All other Trademarks are property of their respective owners. No endorsement is implied. Due to continual product development, specifications are subject to change without notice. ATIS007784 RevA 9/24