



AZMP8-DW

ATMOSPHERE™ ALL-IN-ONE WALL MOUNT CABINET

INSTALLATION GUIDE



AZMP8-DW

ATMOSPHERE™ ALL-IN-ONE WALL MOUNT CABINET



INSTALLATION GUIDE

TABLE OF CONTENTS

Introduction	3
Required Tools (not included)	3
Summary of Steps	3
Step 1 – Open the box and remove contents.....	4
Step 2 – Identify where the AZMP8-DW will be hung.....	6
Step 3 – Prepare wall boxes & cable pass through plates (optional).....	7
Step 4 – Mount bracket on the wall.....	8
Step 5 – Hang the cabinet onto the mounting bracket.....	9
Step 6 – Secure mounting point at the bottom of cabinet	10
Step 7 – Mount lacing bar to the rails and screw in place (optional).....	11
Step 8 – Wi-Fi antenna extension (optional).....	12
Step 9 – Connect conduit for wiring (optional)	13
Step 10 – Connect electrical, audio, and other wiring to panel	14
Step 11 – Power on unit and configure settings.....	15

AZMP8-DW

ATMOSPHERE™ ALL-IN-ONE WALL MOUNT CABINET



INSTALLATION GUIDE

INTRODUCTION

This guide provides the steps for installing the AZMP8-DW signal processor and all-in-one wall-mount cabinet.

THIS GUIDE COVERS:

- Measure and prepare wall for installation.
- Mount the AZMP8-DW.
- Connect and use lacing bar (optional).
- Device configuration and networking.

THIS GUIDE DOES NOT COVERS:

- Electrical wiring.
- Audio wiring.
- Device configuration and networking.

INSTALLATION SAFETY NOTICE

When installing AtlasIED Atmosphere AZMP8-DW, the following precautions should always be observed:

- All AtlasIED products must be used in accordance with local, state, federal, and industry regulations. It is the owner's and user's responsibility to evaluate the reliability of any mounting method for their application. Mounting and electrical work should only be carried out by experienced professionals.
- Use mounting hardware (not included) that has been rated to meet or exceed the weight being hung.
- Make sure to attach mounting hardware to the building's structural components (studs or joists), and not just to the wall surface. Verify that the building's structure and the anchors used for the installation will safely support the total weight of the mounted AZMP8-DW.
- Use mounting hardware appropriate for the material where the AZMP8-DW will be installed.

SUMMARY OF STEPS

1. Step 1 - Open the box and remove contents.
2. Step 2 - Identify where the AZMP8-DW will be hung.
3. Step 3 - Prepare wall boxes & cable pass through plates (optional).
4. Step 4 - Mount bracket on the wall.
5. Step 5 - Hang the cabinet onto the mounting bracket.
6. Step 6 - Secure mounting point at the bottom of cabinet.
7. Step 7 - Mount lacing bar to the rails and screw in place (optional).
8. Step 8 - Wi-Fi antenna extension (optional).
9. Step 9 - Connect conduit for wiring (optional).
10. Step 10 - Connect electrical, audio, and other wiring to connector panel.
11. Step 11 - Power on unit and configure settings.

REQUIRED TOOLS - (NOT INCLUDED)

ITEM	QTY
Level	1
Power Drill	1
Cabinet mounting hardware / screws	3+



AZMP8-DW

ATMOSPHERE™ ALL-IN-ONE WALL MOUNT CABINET



INSTALLATION GUIDE

STEP 1 - OPEN THE BOX AND REMOVE CONTENTS

Open the flaps at the top of the box, then flip the box upside-down on the floor. Slowly and carefully lift the box leaving the contents contained within (**Figure 1**). Make sure all items are included (**Figure 2**).

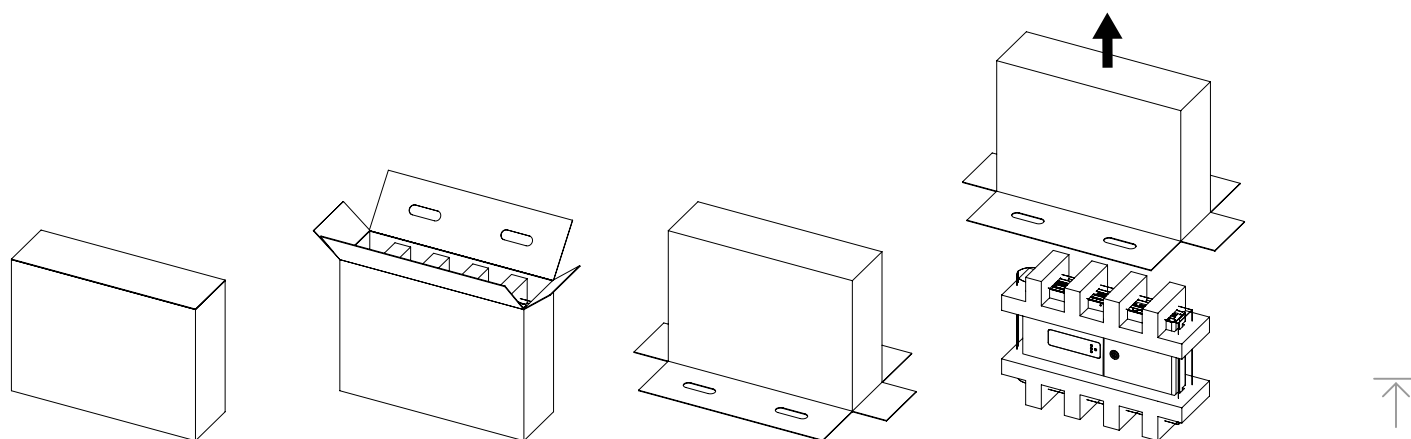


Figure 1

STEP 1 - CONTINUED ON NEXT PAGE **4**

AZMP8-DW

ATMOSPHERE™ ALL-IN-ONE WALL MOUNT CABINET



INSTALLATION GUIDE

STEP 1 (CONTINUED) - OPEN THE BOX AND REMOVE CONTENTS

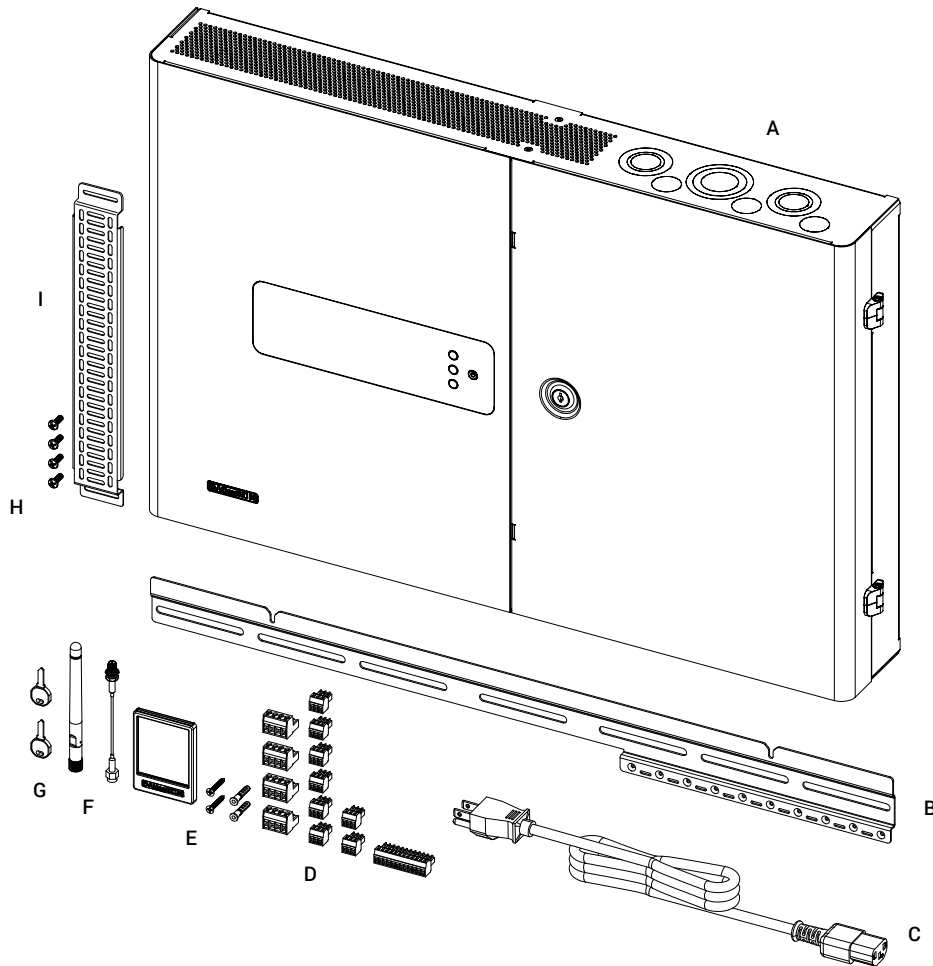


Figure 2

PARTS - (INCLUDED)

ITEM		QTY
A	AZMP8-DW Cabinet	1
B	Mounting Bracket	1
C	Power Cord	1
D	Connector Kit	1
E	QR placard Kit	1
F	Wi-Fi antenna Extender	1
G	Cabinet Lock Keys	2
H	Lacing Bar Screws (M6)	4
I	Lacing Bar	1

AZMP8-DW

ATMOSPHERE™ ALL-IN-ONE WALL MOUNT CABINET



INSTALLATION GUIDE

STEP 2 - IDENTIFY WHERE THE AZMP8-DW WILL BE HUNG

Determine where the AZMP8-DW cabinet will reside in relation to the mounting bracket, using the dimensions detailed in (Figure 3).

Mark the desired mounting location for reference in upcoming steps. Take note of the keep-out area on the right side to accommodate the cabinet door, as well as the gang box mounting area.

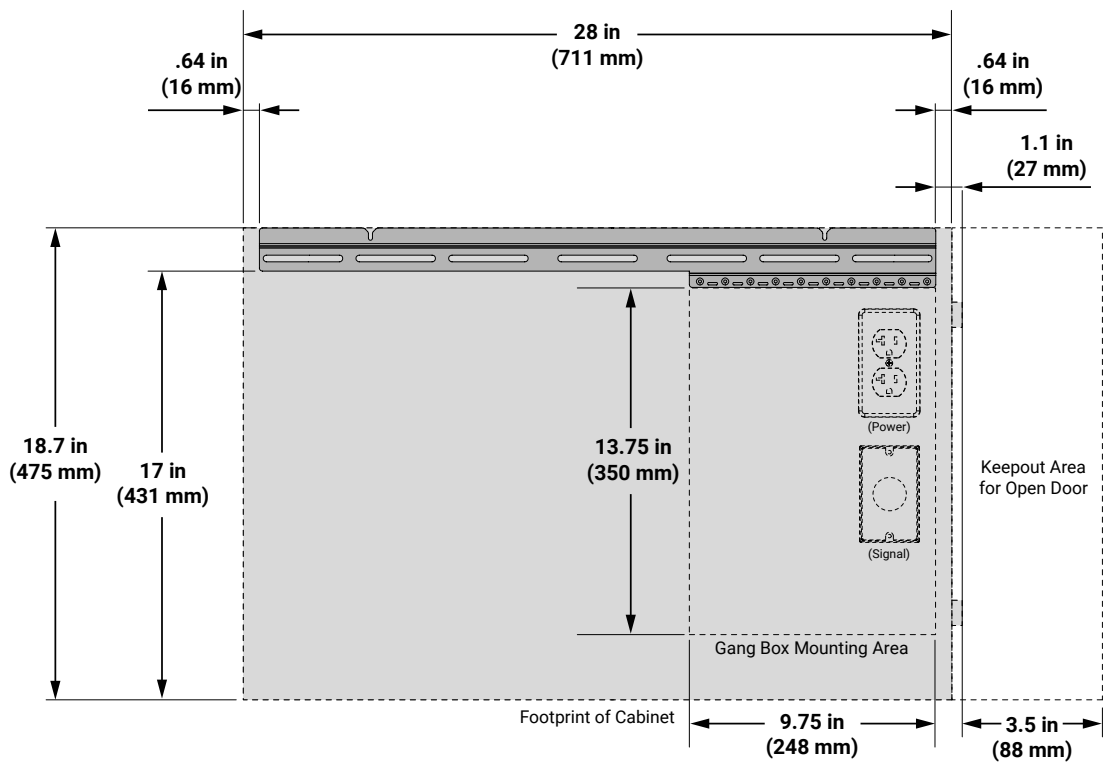


Figure 3

AZMP8-DW

ATMOSPHERE™ ALL-IN-ONE WALL MOUNT CABINET



INSTALLATION GUIDE

STEP 3 - PREPARE WALL BOXES & CABLE PASS THROUGH PLATES - (OPTIONAL)

To accommodate wiring it may be desirable to add power boxes or cable pass-throughs to the wall behind the cabinet area of the AZMP8-DW. This area is located on the right side of the unit below the threaded holes on the mounting bracket.

Install desired items (Figure 4). Be sure to comply with all local regulations and codes.

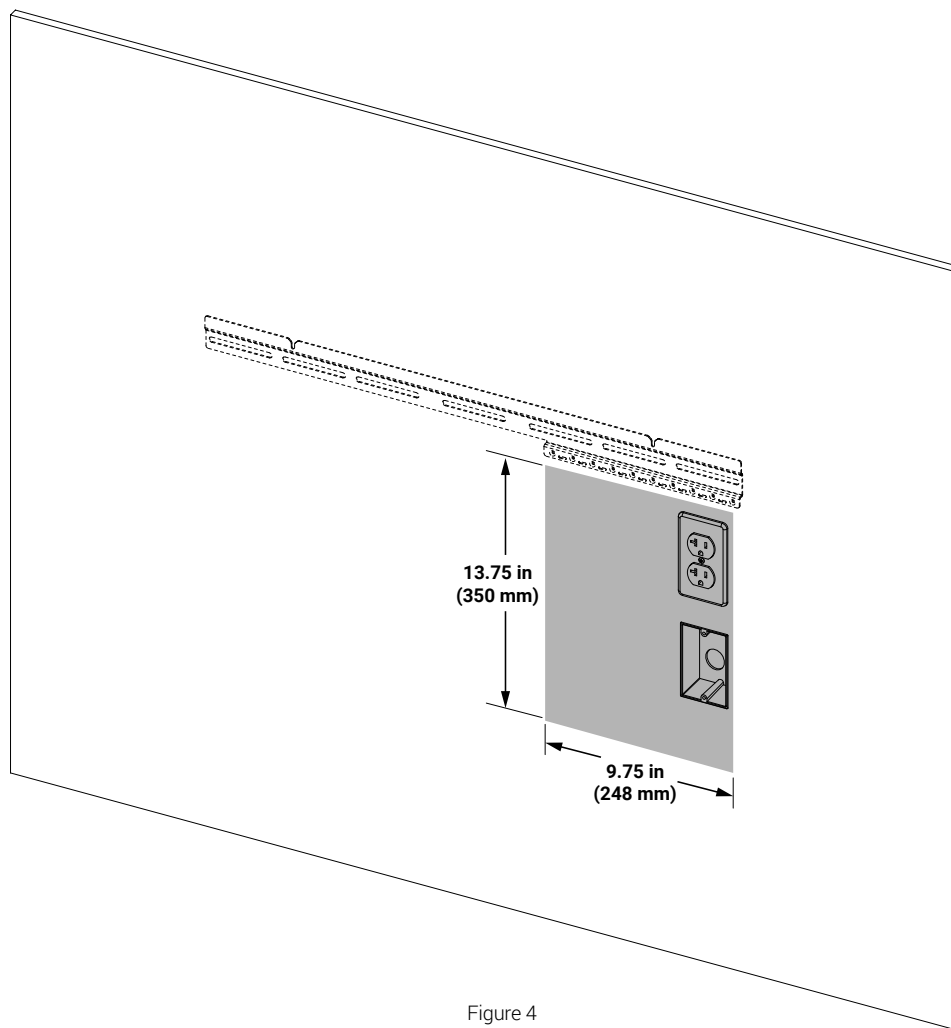


Figure 4

AZMP8-DW

ATMOSPHERE™ ALL-IN-ONE WALL MOUNT CABINET



INSTALLATION GUIDE

STEP 4 - MOUNT BRACKET ON THE WALL

Mark the desired location of the mounting bracket using a level (**Figure 5**).

Mount the bracket to the wall horizontally using at least two (2) screws (**Figure 6**).

Ensure secure mounting. The AZMP8-DW weighs 30.5lbs (14kg) and must be secured to wall studs, anchors, or other weight-bearing surfaces.

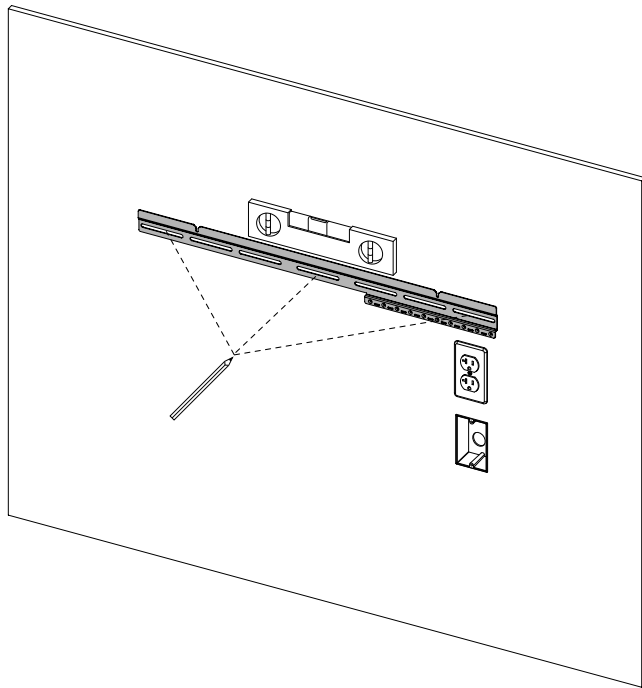


Figure 5

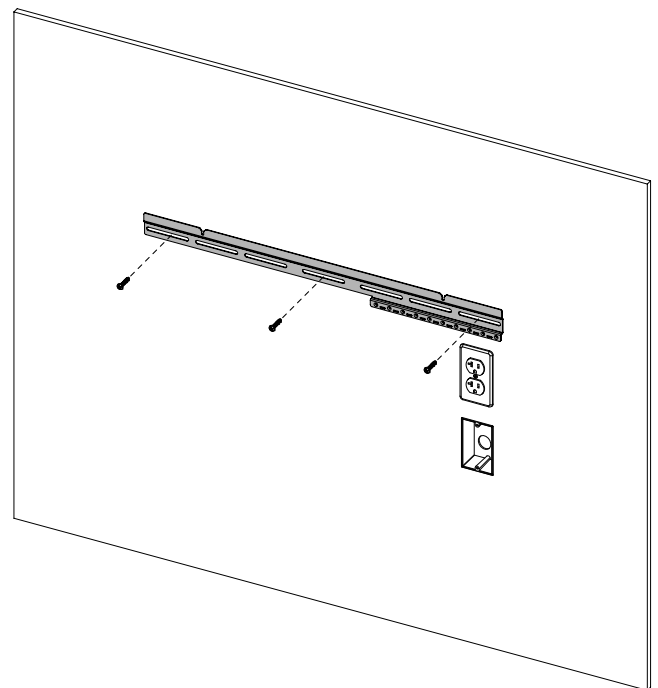


Figure 6

AZMP8-DW

ATMOSPHERE™ ALL-IN-ONE WALL MOUNT CABINET



INSTALLATION GUIDE

STEP 5 - HANG THE CABINET ONTO THE MOUNTING BRACKET

With the cabinet door closed and in the locked position, carefully place the top portion of the cabinet over the mounting bracket until it rests in place (Figure 7).

On the back of the cabinet there are two guiding pegs (A) that fit into slots (B) on the top of the mounting bracket (Figure 8).

Once properly connected the mounting bracket will hold the weight of the cabinet for securement in the next step.

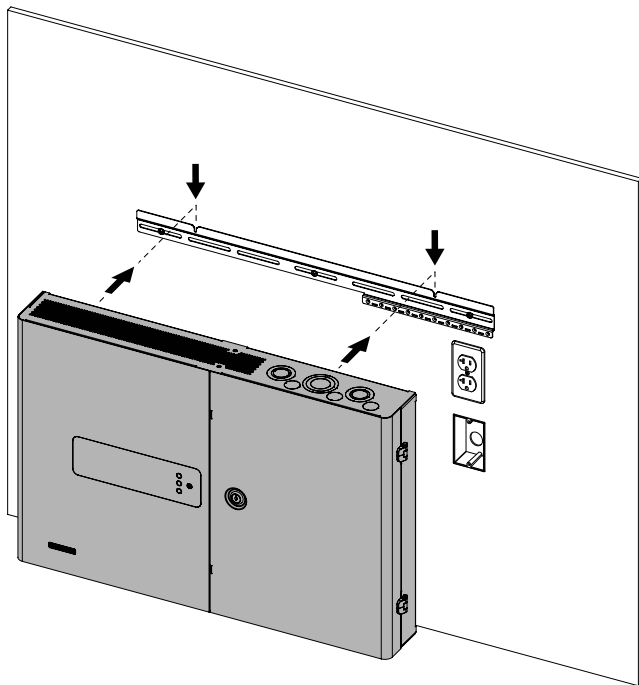


Figure 7

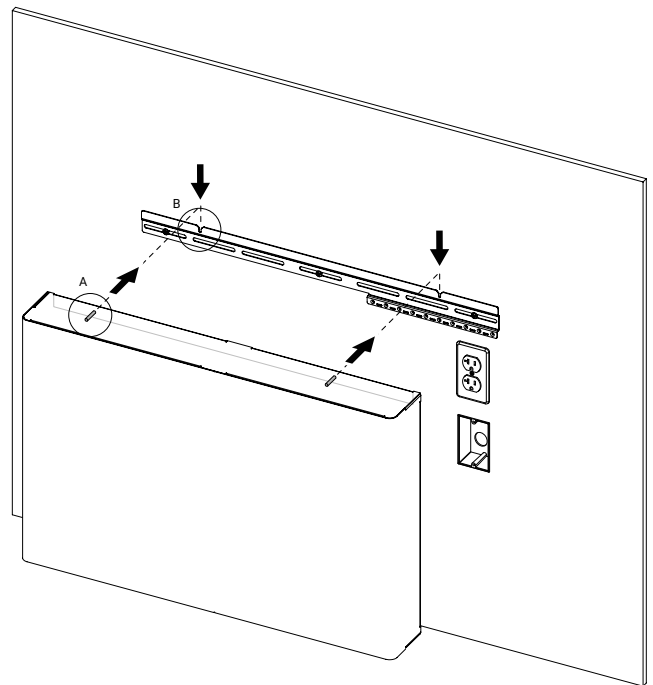


Figure 8



AZMP8-DW

ATMOSPHERE™ ALL-IN-ONE WALL MOUNT CABINET



INSTALLATION GUIDE

STEP 6 - SECURE MOUNTING POINT AT THE BOTTOM OF CABINET

Open the cabinet door and insert screws into the horizontal slots in the lower mounting bracket.

To fully secure the cabinet to the mounting surface, connect at least one (1) fastener through any slot at the bottom of the cabinet to the wall (**Figure 9**). It is recommended to secure into a wall stud or other solid surface when possible.

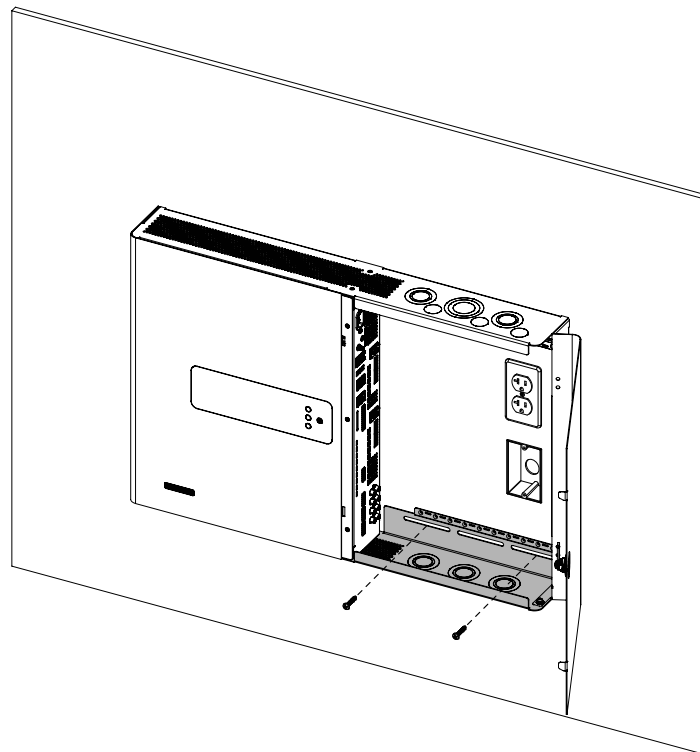


Figure 9



AZMP8-DW

ATMOSPHERE™ ALL-IN-ONE WALL MOUNT CABINET



INSTALLATION GUIDE

STEP 7 - MOUNT LACING BAR TO THE RAILS AND SCREW IN PLACE - (OPTIONAL)

An optional lacing bar is supplied to help mount peripheral hardware or assist with cable management. The lacing bar can be positioned in multiple vertical positions. Determine the best location and secure the lacing bar to the top and bottom rails using the four (4) included Phillips head screws (Figures 10 & 11).

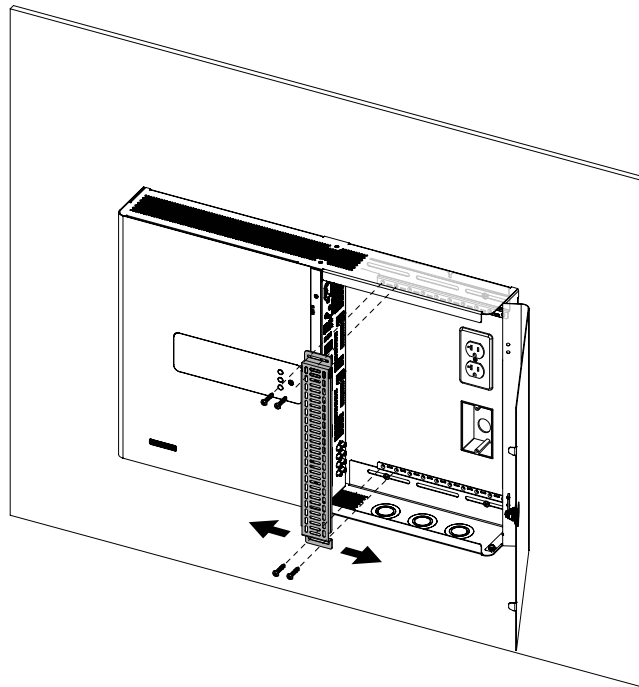


Figure 10

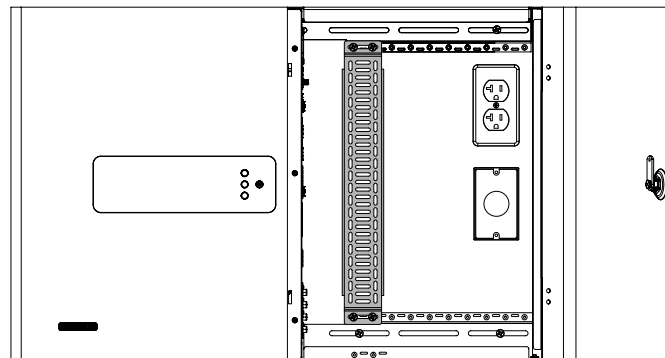


Figure 11



AZMP8-DW

ATMOSPHERE™ ALL-IN-ONE WALL MOUNT CABINET



INSTALLATION GUIDE

STEP 8 - WI-FI ANTENNA EXTENSION - (OPTIONAL)

If using the built-in Wi-Fi connection, it is recommended to use the included antenna extender to bring the antenna to the top of the metal cabinet.

Punch out the perforated antenna cover in the top of the cabinet (**Figure 12a**) and secure one end of the antenna extender to the cabinet. Screw the other end to the input panel on the unit (**Figure 12b**).

Finally, screw the antenna to the top of the cabinet (**Figure 12c**).

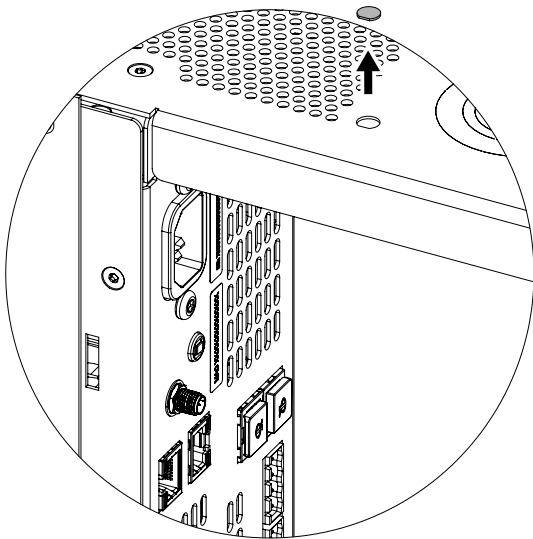


Figure 12a

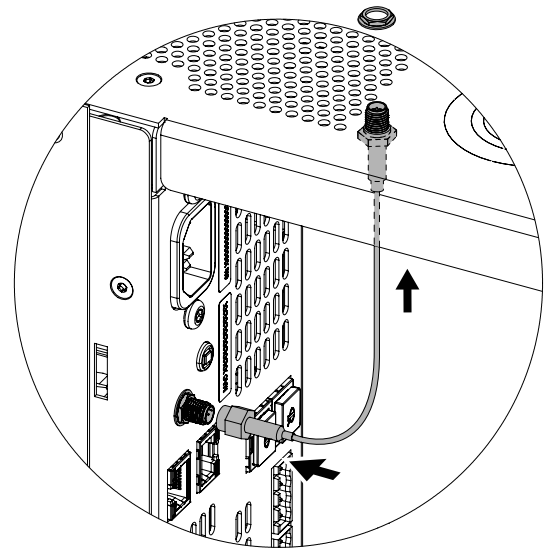


Figure 12b

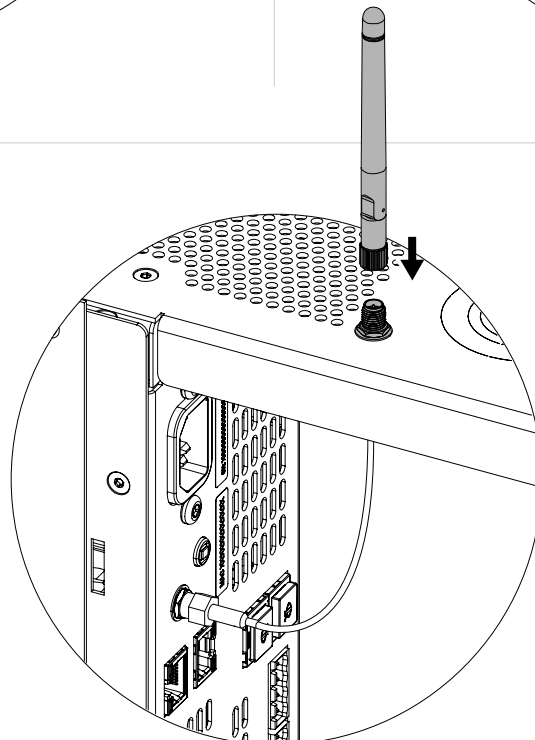


Figure 12c

AZMP8-DW

ATMOSPHERE™ ALL-IN-ONE WALL MOUNT CABINET



INSTALLATION GUIDE

STEP 9 - CONNECT CONDUIT FOR WIRING - (OPTIONAL)

For installations requiring a conduit connection for wiring, there are several perforated locations on both the top and bottom of the cabinet (**Figure 13a**). Knock out the required size and attach conduit using an appropriate conduit connector (**Figure 13b**).

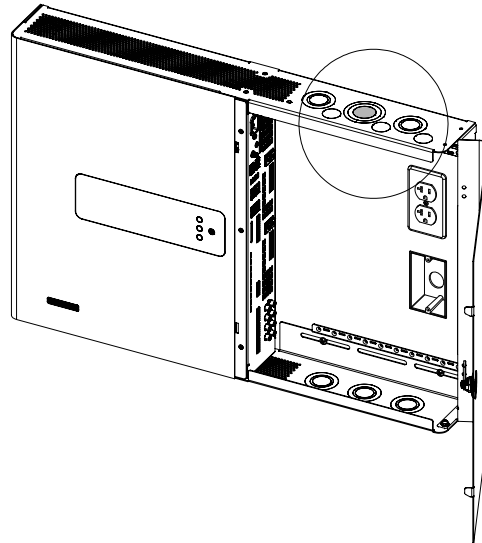


Figure 13a

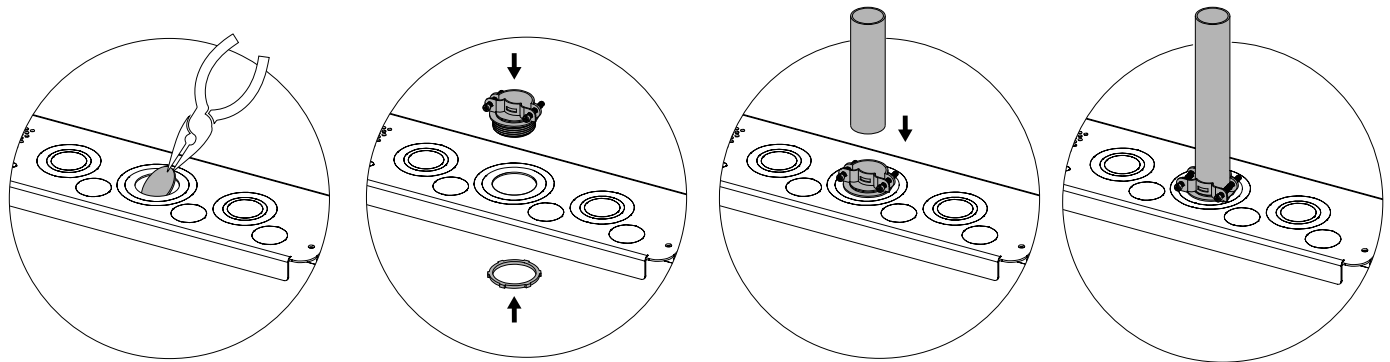


Figure 13b

AZMP8-DW

ATMOSPHERE™ ALL-IN-ONE WALL MOUNT CABINET



INSTALLATION GUIDE

STEP 10 - CONNECT ELECTRICAL, AUDIO, AND OTHER WIRING TO CONNECTOR PANEL

With the cabinet mounted and secure connect audio, electrical, and other cabling to the connector panel of the unit (Figure 14).

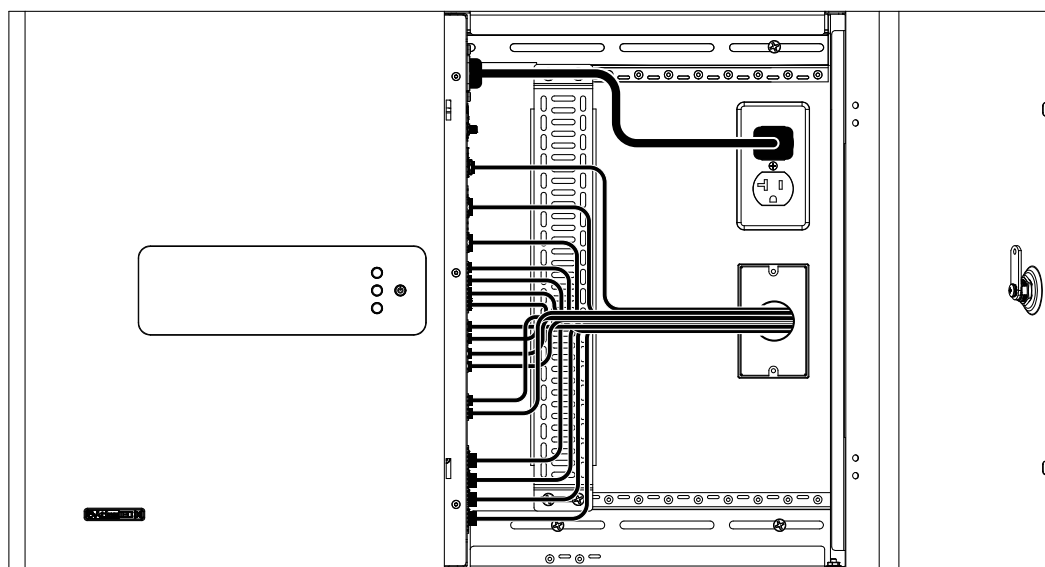


Figure 14



AZMP8-DW

ATMOSPHERE™ ALL-IN-ONE WALL MOUNT CABINET



INSTALLATION GUIDE

STEP 11 - POWER ON UNIT AND CONFIGURE SETTINGS

Once mounting and wiring is complete the AZMP8-DW is ready for configuration and use. Turn the unit on by pressing the front panel standby button (Figure 15). If connected to a network, the IP address will be shown on the LCD screen. Using a browser, navigate to the IP address to access the configuration software.



Figure 15

FRONT PANEL CONTROLS:

- **Standby** – Put the unit into and out of standby. Note: This function can be disabled in configuration software.
- **LCD Menu Screen** – Display IP address, configure network settings, view channel status, and more.
- **Menu Up** – Navigate 'up' in the LCD menu.
- **Menu Down** – Navigate 'down' in the LCD menu.
- **Menu Enter** – Select the highlighted option in the LCD menu.
- **Status Indicator** – Show device status.

LEARN MORE:

- AtlasIED.com/Atmosphere
- AtlasIED.com/AZMP8-DW
- Academy.AtlasIED.com

©2024 Atlas Sound LP. The Atlas "Circle A", Soundolier, and Atlas Sound are trademarks of Atlas Sound LP. IED is a Registered Trademark of Innovative Electronic Designs LLC. All rights reserved. All other Trademarks are property of their respective owners. No endorsement is implied. Due to continual product development, specifications are subject to change without notice. ATS008079 RevA 11/24