

# ECS-KSW3M

Key Lock Remote Wall Plate for ETA-ECS3

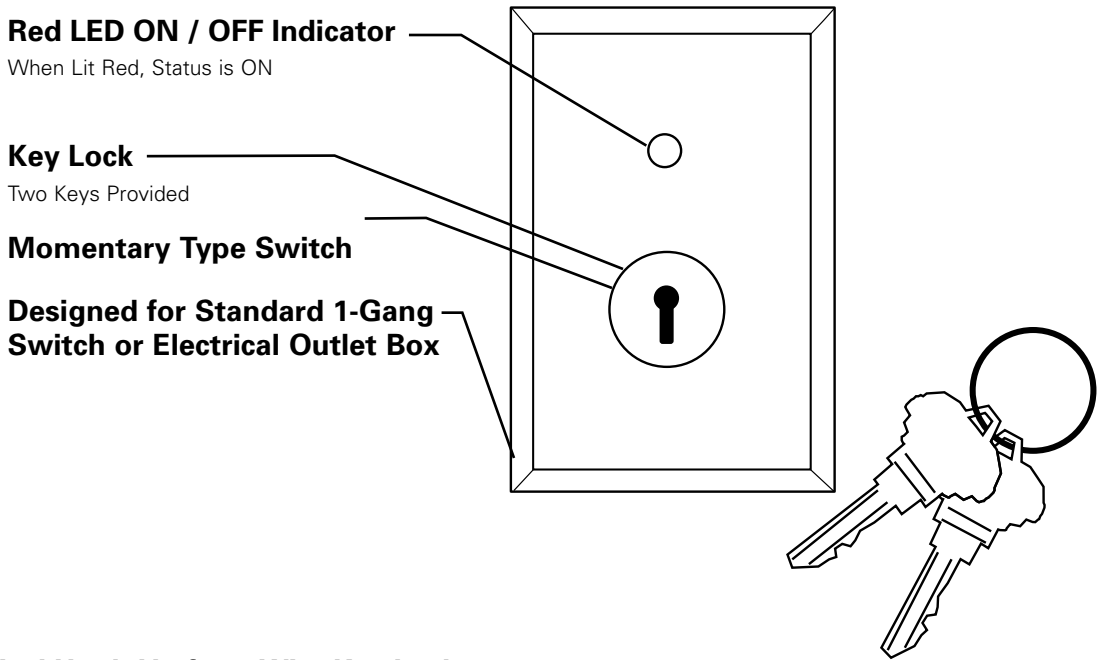


**ETA**  
SYSTEMS™  
Leading by Design.™

## FEATURES

- Designed for Remote Activation of the ECS 3-Step Sequencer
- Inputs: 4-Wire Interface Maintained Connection (Momentary Contact Closure)
- Black Painted Face Plate
- Removable Key

**Works with**  
**ETA Model ETA-ECS3**  
**&**  
**Atlas Power Model ECS-3**

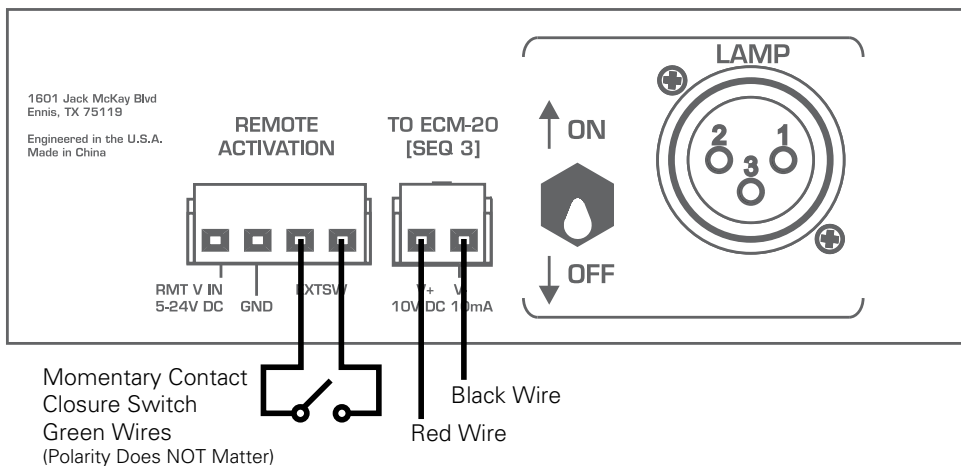


## Electrical Hook-Up for 4-Wire Key Lock

Interface: 4-wire Maintained Connection (Momentary Contact Closure)

Connection: 22 AWG Green Wires – Momentary Switch (2 Green Wires, Polarity Does NOT Matter)  
22 AWG Black Wire – Common  
22 AWG Red Wire – LED Display

## Hook-Up Diagram on ETA-ECS-3



1601 Jack McKay Blvd. • Ennis, Texas 75119 U.S.A.  
Telephone: 800-321-6699 • Fax: 800-996-3821

## LIMITED WARRANTY

All products manufactured by ETA Systems are warranted to the original dealer/installer, industrial or commercial purchaser to be free from defects in material and workmanship and to be in compliance with our published specifications, if any. This warranty shall extend from the date of purchase for a period of one year. Additionally, fuses and lamps carry no warranty. ETA Systems will solely at its discretion, replace at no charge or repair free of charge defective parts or products when the product has been applied and used in accordance with our published operation and installation instructions. We will not be responsible for defects caused by improper storage, misuse (including failure to provide reasonable and necessary maintenance), accident, abnormal atmospheres, water immersion, lightning discharge, or malfunctions when products have been modified or operated in excess of rated power, altered, serviced or installed in other than a workmanlike manner. The original sales invoice should be retained as evidence of purchase under the terms of this warranty. All warranty returns must comply with our returns policy set forth below. When products returned to ETA Systems do not qualify for repair or replacement under our warranty, repairs may be performed at prevailing costs for material and labor unless there is included with the returned product(s) a written request for an estimate of repair costs before any non-warranty work is performed. In the event of replacement or upon completion of repairs, return shipment will be made with the transportation charges collect.

EXCEPT TO THE EXTENT THAT APPLICABLE LAW PREVENTS THE LIMITATION OF CONSEQUENTIAL DAMAGES FOR PERSONAL INJURY, ETA SYSTEMS SHALL NOT BE LIABLE IN TORT OR CONTRACT FOR ANY DIRECT, CONSEQUENTIAL OR INCIDENTAL LOSS OR DAMAGE ARISING OUT OF THE INSTALLATION, USE OR INABILITY TO USE THE PRODUCTS. THE ABOVE WARRANTY IS IN LIEU OF ALL OTHER WARRANTIES INCLUDING BUT NOT LIMITED TO WARRANTIES OF MERCHANTABILITY AND FITNESS FOR A PARTICULAR PURPOSE.

ETA Systems does not assume, nor does it authorize any other person to assume or extend on its behalf, any other warranty, obligation, or liability. This warranty gives you specific legal rights and you may have other rights which vary from state to state.

## SERVICE

Should your ECS3-KSWM require service, please contact the  
ETA Systems warranty department at  
1-877-689-8055, ext. 277 to obtain an RA number.

ETA Systems Tech Support can be reached at 1-800-321-6699.

Visit our web site at [www.ETAsys.com](http://www.ETAsys.com) to see other ETA Systems products.



**ETA**  
SYSTEMS™  
*Leading by Design.™*

©2010 ETA Systems All rights reserved. ETA003791 RevA 5/10

1601 Jack McKay Blvd. • Ennis, Texas 75119 U.S.A.  
Telephone: 800-321-6699 • Fax: 800-996-3821